

Dell™ Inspiron™

Advanced Port Replicator User's Guide

高級端口复制器用户指南

アドバンスポートリプリケータユーザーズガイド



Model PRX



www.dell.com | support.dell.com

Dell™ Inspiron™

Advanced Port Replicator User's Guide



Hints, Notices, and Cautions



HINT: A HINT indicates important information that helps you make better use of your computer.



NOTICE: A NOTICE indicates either potential damage to hardware or loss of data and tells you how to avoid the problem.



CAUTION: A CAUTION indicates a potential for property damage, personal injury, or death.

Abbreviations and Acronyms

For a complete list of abbreviations and acronyms, see the *Tell Me How* help file.

In Microsoft® Windows® XP

- 1 Click the **Start** button and click **Help and Support**.
- 2 Click **User and system guides** and click **User's Guides**.
- 3 Click **Tell Me How**.

In Windows 2000, click the **Start** button on the Windows desktop, point to **Programs**—> **User's Guides**, and click **Tell Me How**.

Information in this document is subject to change without notice.
© 1999–2002 Dell Computer Corporation. All rights reserved.

Reproduction in any manner whatsoever without the written permission of Dell Computer Corporation is strictly forbidden.

Trademarks used in this text: *Dell*, the *DELL* logo, and *Inspiron* are trademarks of Dell Computer Corporation; *Microsoft* and *Windows* are registered trademarks of Microsoft Corporation; *3Com* is a registered trademark of 3Com Corporation. *Intel*, *Celeron*, and *Pentium* are registered trademarks of Intel Corporation; *EMC* is the registered trademark of EMC Corporation.

Other trademarks and trade names may be used in this document to refer to either the entities claiming the marks and names or their products. Dell Computer Corporation disclaims any proprietary interest in trademarks and trade names other than its own.

Contents

CAUTION: Safety Instructions	5
General	5
Power	6
Introduction	7
Before You Dock for the First Time	7
Docking the Computer	7
Undocking the Computer	9
APR I/O Connectors	10
APR Controls and Indicators	12
Connecting External Devices to the APR	12
Optional Monitor Stand	13
Technical Specifications	14
Regulatory Notices	15
FCC Notices (U.S. Only)	17
IC Notice (Canada Only)	19
CE Notice (European Union)	19
CE Mark Notice	20
Simplified Chinese Class A Warning Notice (China Only)	21
EN 55022 Compliance (Czech Republic Only)	21
VCCI Notice (Japan Only)	22
NOM Information (Mexico Only)	24

Limited Warranties and Return Policy	24
One-Year Limited Warranty (U.S. Only)	25
Two-Year Limited Warranty (U.S. Only)	27
Three-Year Limited Warranty (U.S. Only)	31
Four-Year Limited Warranty (U.S. Only)	34
One-Year Limited Warranty (Canada Only)	37
Two-Year Limited Warranty (Canada Only)	39
Three-Year Limited Warranty (Canada Only)	42
"Total Satisfaction" Return Policy (U.S. Only)	46
One-Year End-User Manufacturer Guarantee (Latin America and the Caribbean Only)	47

CAUTION: Safety Instructions

Use the following safety guidelines to help ensure your own personal safety and to help protect your computer and working environment from potential damage.

General

- Do not attempt to service the advanced port replicator (APR) yourself unless you are a trained service technician. Always follow installation instructions closely.
- If you use an extension power cable with your AC adapter, ensure that the total ampere rating of the products plugged in to the extension power cable does not exceed the ampere rating of the extension cable.
- Do not push objects into air vents or openings of your computer. Doing so can cause fire or electric shock by shorting out interior components.
- Do not store your APR in a low-airflow environment, such as a carrying case or a closed briefcase, while the APR is turned on. Restricting airflow can damage the computer or cause a fire.
- Keep your APR away from radiators and heat sources. Also, do not block cooling vents. Avoid placing loose papers underneath your computer; do not place your computer in a closed-in wall unit or on a bed, sofa, or rug.
- Place the AC adapter in a ventilated area, such as a desk top or on the floor, when you use it to run the computer or to charge the battery. Do not cover the AC adapter with papers or other items that will reduce cooling; also, do not use the AC adapter inside a carrying case.
- The AC adapter may become hot during normal operation of your computer. Use care when handling the adapter during or immediately after operation.
- Do not use your APR in a wet environment, for example, near a bath tub, sink, or swimming pool or in a wet basement

CAUTION: Safety Instructions (*continued*)

- To help avoid the potential hazard of electric shock, do not connect or disconnect any cables or perform maintenance or reconfiguration of this product during an electrical storm. Do not use your APR during an electrical storm.
- Before you clean your APR, disconnect the APR from the electrical outlet. Clean your APR with a soft cloth dampened with water. Do not use liquid or aerosol cleaners, which may contain flammable substances.

Power

- Use only the Dell-provided AC adapter approved for use with this APR. Use of another AC adapter may cause a fire or explosion.
- Before you connect the APR to an electrical outlet, check the AC adapter voltage rating to ensure that the required voltage and frequency match the available power source.
- To remove the APR from all power sources, turn off the computer, undock the computer, and disconnect the AC adapter cable from the back of the APR.
- To help prevent electric shock, plug the AC adapter and peripheral power cables into properly grounded power sources. These power cables may be equipped with 3-prong plugs to provide an earth grounding connection. Do not use adapter plugs or remove the grounding prong from the power cable plug. If you use a power extension cable, use the appropriate type, 2-prong or 3-prong, to mate with the AC adapter power cable.
- Be sure that nothing rests on your AC adapter's power cable and that the cable is not located where it can be tripped over or stepped on.
- If you are using a multiple-outlet power strip, use caution when plugging the AC adapter's power cable into the power strip. Some power strips may allow you to insert the plug incorrectly. Incorrect insertion of the power plug could result in permanent damage to your computer, as well as risk of electric shock and/or fire. Ensure that the ground prong of the power plug is inserted into the mating ground contact of the power strip.

Introduction

The advanced port replicator (APR) integrates your Dell™ computer quickly and easily into a desktop environment. Use the instructions in this document to connect, or dock, the computer to the APR and to attach external devices.

Before You Dock for the First Time

Before you initially connect your computer to the APR, the operating system must complete its setup process. To verify that the operating system has completed the setup process, perform the following steps:

- 1 Be sure that the computer is not docked in the APR.
- 2 Turn on the computer.
- 3 Verify that your computer's operating system completes the setup process and that the Microsoft® Windows® desktop appears.
- 4 If you received a BIOS upgrade CD with your APR, upgrade the BIOS on your computer before attaching it to the APR.


For instructions, see the documentation that came with the BIOS upgrade disk.

- 5 Turn off the computer.

You can now connect your computer to the APR as described in the next subsection, "Docking the Computer."

Docking the Computer

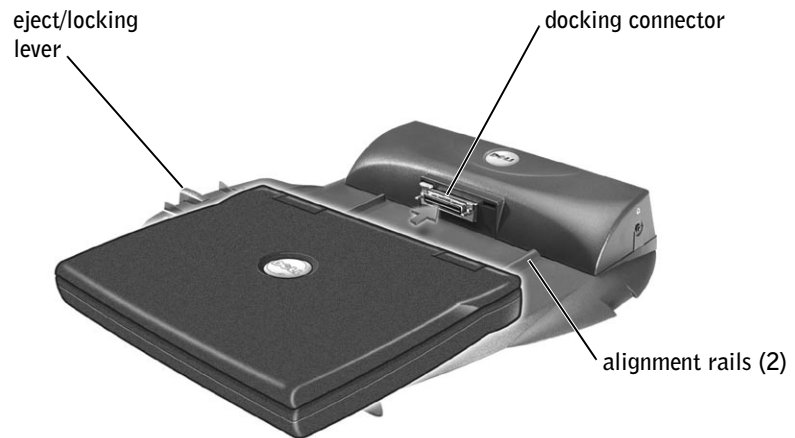
You must attach an AC adapter to the APR before you dock and turn on the computer. The AC adapter powers the APR and the computer at the same time. Any battery installed in the computer charges while you use the APR.

 **NOTICE:** Always use the Dell AC adapter that came with the APR. (Look for model number PA-6 or PA-9 on the bottom of the AC adapter.) If you use any other commercially available AC adapter—or the AC adapter from earlier models of Dell computers—you may damage the APR or the computer.

- 1 Complete the steps in the previous subsection, "Before You Dock for the First Time."

HINT: Do not attach external devices other than a monitor, keyboard, or mouse before docking the first time.

- 2 Save and close any open files, exit any open programs, and shut down the computer.
- 3 If you have not already done so, connect the AC adapter to the connector on the APR, and plug the AC power cable in to an electrical outlet.
- 4 Horizontally center the computer on the APR platform, with the back of the computer facing the APR's docking connector, as shown in the figure.



HINT: If you have the optional monitor stand installed (see page 13), you will not be able to see the alignment rails or the docking connector.

- 5 Slide the computer toward the connector until you feel the grooves on the bottom of the computer engage with the alignment rails.
- NOTICE:** If you attempt to push the computer all the way into the APR without engaging the alignment rails, you may irreparably damage the docking connector on the computer.
- 6 Gently push the computer forward until the docking connector is fully engaged.

Undocking the Computer

➡ **NOTICE:** If the computer does not have a charged battery, the computer turns off when you detach the computer from the APR, and all unsaved data is lost.

- 1 Save and close any open files, exit any open programs, and shut down the computer.

➡ **NOTICE:** Never undock the computer and the APR without first preparing the computer. Any of the three following methods prepares the operating system, network, and storage devices for undocking by completing data transfers. If you undock the computer before these transfers are completed, you lose data and the computer may not recover normal operation for several minutes, if at all.

- 2 To prepare the computer for undocking, perform one of the following procedures:

- Press <Fn><Esc> on the computer's keyboard (or press <Scroll Lock><Esc> on an external keyboard).

After a few seconds, the power indicator on the computer turns off.

- If you are using Windows 98, Windows Millennium Edition (Me), or Windows 2000, click the **Start** button, and then click **Eject PC**. If you are using Windows XP, click the **Start** button and then click **Undock Computer**.

After a few seconds, the power indicator on the computer turns off.

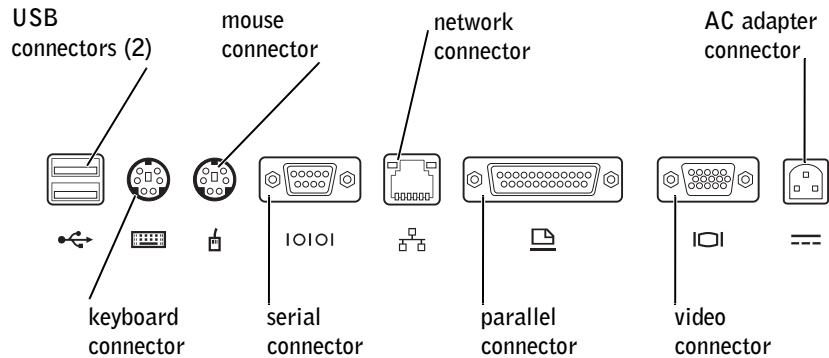
- Press the undock request button on the APR (see page 12).
The green docking light turns off.

- 3 Slide the eject/locking lever on the left side of the APR to the eject position to undock the computer.










APR I/O Connectors

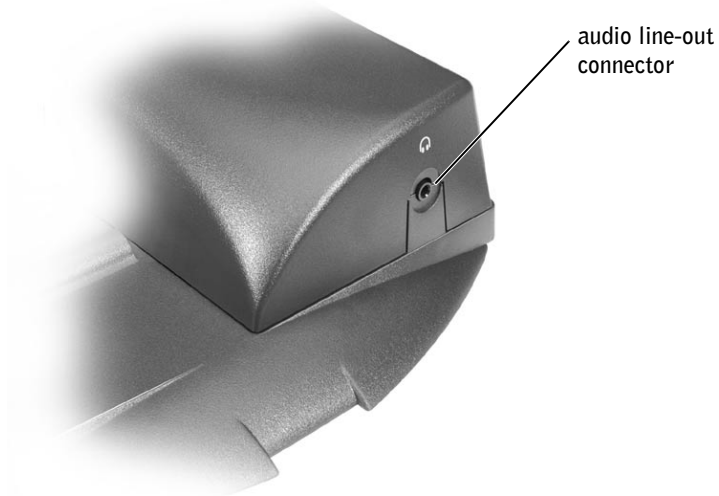
The I/O connectors on the back and side of the APR duplicate the primary connectors on the back and side of your computer.



The following table shows the icons for each of the connectors on the back of the APR and indicates the type of external device(s) that you can attach to each connector.

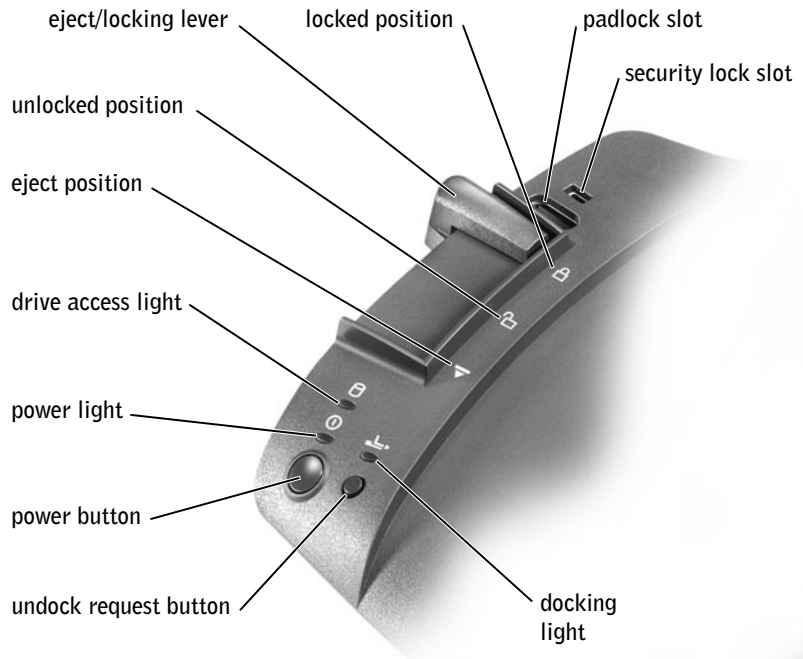
Connector Icon	Connector Description
	Connect one or two USB devices, such as a USB mouse.
	Connect a PS/2-style keyboard or numeric keypad.
	Connect a PS/2-compatible mouse.
IOIOI	Connect a serial device, such as a serial mouse or digital camera.
	Connect a network interface cable.
	Connect a parallel device, such as a printer.
	Connect an external monitor.
	Connect the AC adapter.

The audio line-out connector is on the side of the APR.



APR Controls and Indicators

The controls and indicators on the APR are shown in the following figure.



Connecting External Devices to the APR

To attach external devices to the APR, perform the following steps:

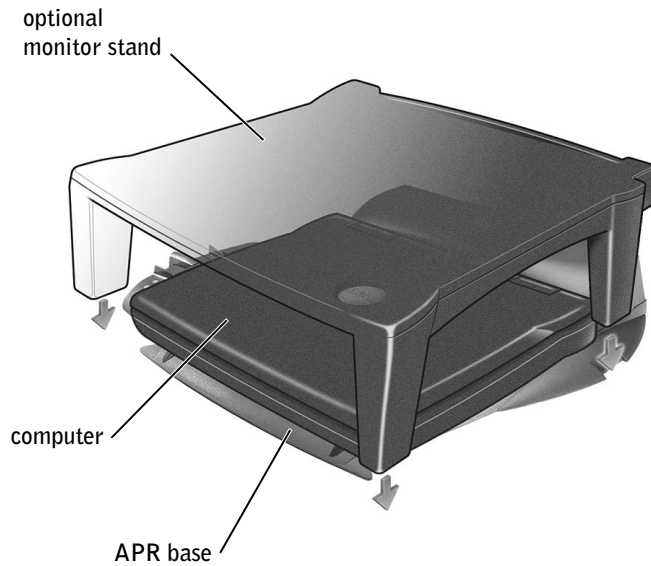
HINT: If the cable connector from the external device has thumbscrews, be sure to tighten them to ensure a proper connection.

- 1 Connect the device cable to the appropriate connector on the back of the APR.
- 2 Connect the external devices to an electrical outlet, if applicable.

Optional Monitor Stand

NOTICE: The stand supports monitors that weigh up to 45.3 kilograms (kg) (100 pounds [lb]). Heavier monitors may damage the stand, computer, and APR.

HINT: Be sure that the back legs on the monitor stand engage the slots on either side of the docking control base.



Technical Specifications

Physical

Height:

With monitor stand	10.2 cm (4.0 inches)
Stand-alone	5.8 cm (2.3 inches)

Depth:

With monitor stand	39.0 cm (15.4 inches)
Stand-alone	35.8 cm (14.1 inches)

Width:

With monitor stand	37.5 cm (14.8 inches)
Stand-alone	40.9 cm (16.1 inches)

Weight:

With monitor stand	3.0 kg (6.5 lb)
Stand-alone	1.6 kg (3.5 lb)

I/O Connectors

Serial (DTE)	9-pin connector
Parallel	25-hole connector
PS/2-style keyboard/keypad	6-hole PS/2 keyboard connector
PS/2-compatible mouse	6-hole PS/2 mouse connector
Video	15-hole connector
Audio	speaker-out (for optional headphones)
USB (dual)	two 4-pin connectors
DC-IN	one connector
Docking connector	240-pin connector
Network adaptor	RJ-45 connector

Ethernet Network Controller

Chip set	3Com® 3C920; 10/100 BASE-TX (PC99-compliant)
Data bus width	32-bit PCI host bus interface
IRQ	IRQ10

Power

Voltage	requires 20 VDC from AC adapter
Amperage	3.5–4.5 A

Regulatory Notices

Electromagnetic Interference (EMI) is any signal or emission, radiated in free space or conducted along power or signal leads, that endangers the functioning of a radio navigation or other safety service or seriously degrades, obstructs, or repeatedly interrupts a licensed radio communications service. Radio communications services include but are not limited to AM/FM commercial broadcast, television, cellular services, radar, air-traffic control, pager, and Personal Communication Services (PCS). These licensed services, along with unintentional radiators such as digital devices, including computers, contribute to the electromagnetic environment.

Electromagnetic Compatibility (EMC) is the ability of items of electronic equipment to function properly together in the electronic environment. While this computer has been designed and determined to be compliant with regulatory agency limits for EMI, there is no guarantee that interference will not occur in a particular installation. If this equipment does cause interference with radio communications services, which can be determined by turning the equipment off and on, you are encouraged to try to correct the interference by one or more of the following measures:

- Reorient the receiving antenna.
- Relocate the computer with respect to the receiver.
- Move the computer away from the receiver.
- Plug the computer into a different outlet so that the computer and the receiver are on different branch circuits.

If necessary, consult a Dell Technical Support representative or an experienced radio/television technician for additional suggestions.

Dell computers are designed, tested, and classified for their intended electromagnetic environment. These electromagnetic environment classifications generally refer to the following harmonized definitions:

- Class A is typically for business or industrial environments.
- Class B is typically for residential environments.

Information Technology Equipment (ITE), including devices, expansion cards, printers, input/output (I/O) devices, monitors, and so on, that are integrated into or connected to the computer should match the electromagnetic environment classification of the computer.

A Notice About Shielded Signal Cables: Use only shielded cables for connecting devices to any Dell device to reduce the possibility of interference with radio communications services. Using shielded cables ensures that you maintain the appropriate EMC classification for the intended environment. For parallel printers, a cable is available from Dell. If you prefer, you can order a cable from Dell on the World Wide Web at accessories.us.dell.com/sna/category.asp?category_id=4117.

Most Dell computers are classified for Class B environments. However, the inclusion of certain options can change the rating of some configurations to Class A. To determine the electromagnetic classification for your computer or device, refer to the following sections specific for each regulatory agency. Each section provides country-specific EMC/EMI or product safety information.

FCC Notices (U.S. Only)

Most Dell computers are classified by the Federal Communications Commission (FCC) as Class B digital devices. To determine which classification applies to your computer, examine all FCC registration labels located on the bottom or back panel of your computer, on card-mounting brackets, and on the cards themselves. If any one of the labels carries a Class A rating, your entire computer is considered to be a Class A digital device. If *all* labels carry an FCC Class B rating as distinguished by either an FCC ID number or the FCC logo, (**FCC**), your computer is considered to be a Class B digital device.

Once you have determined your computer's FCC classification, read the appropriate FCC notice. Note that FCC regulations provide that changes or modifications not expressly approved by Dell could void your authority to operate this equipment.

This device complies with Part 15 of the FCC Rules. Operation is subject to the following two conditions:

- This device may not cause harmful interference.
- This device must accept any interference received, including interference that may cause undesired operation.

Class A

This equipment has been tested and found to comply with the limits for a Class A digital device pursuant to Part 15 of the FCC Rules. These limits are designed to provide reasonable protection against harmful interference when the equipment is operated in a commercial environment. This equipment generates, uses, and can radiate radio frequency energy and, if not installed and used in accordance with the manufacturer's instruction manual, may cause harmful interference with radio communications. Operation of this equipment in a residential area is likely to cause harmful interference, in which case you will be required to correct the interference at your own expense.

Class B

This equipment has been tested and found to comply with the limits for a Class B digital device pursuant to Part 15 of the FCC Rules. These limits are designed to provide reasonable protection against harmful interference in a residential installation. This equipment generates, uses, and can radiate radio frequency energy and, if not installed and used in accordance with the manufacturer's instruction manual, may cause interference with radio communications. However, there is no guarantee that interference will not occur in a particular installation. If this equipment does cause harmful interference to radio or television reception, which can be determined by turning the equipment off and on, you are encouraged to try to correct the interference by one or more of the following measures:

- Reorient or relocate the receiving antenna.
- Increase the separation between the equipment and the receiver.
- Connect the equipment into an outlet on a circuit different from that to which the receiver is connected.
- Consult the dealer or an experienced radio/television technician for help.

The following information is provided on the device or devices covered in this document in compliance with FCC regulations:

- Model number: PRX
- Company name:

Dell Computer Corporation
One Dell Way
Round Rock, Texas 78682 USA
(512) 338-4400

IC Notice (Canada Only)

Most Dell computers (and other Dell digital apparatus) are classified by the Industry Canada (IC) Interference-Causing Equipment Standard #3 (ICES-003) as Class B digital devices. To determine which classification (Class A or B) applies to your computer (or other Dell digital apparatus), examine all registration labels located on the bottom or the back panel of your computer (or other digital apparatus). A statement in the form of "IC Class A ICES-003" or "IC Class B ICES-003" will be located on one of these labels. Note that Industry Canada regulations provide that changes or modifications not expressly approved by Dell could void your authority to operate this equipment.

This Class B (or Class A, if so indicated on the registration label) digital apparatus meets the requirements of the Canadian Interference-Causing Equipment Regulations.

Cet appareil numérique de la Classe B (ou Classe A, si ainsi indiqué sur l'étiquette d'enregistrement) respecte toutes les exigences du Règlement sur le Matériel Brouilleur du Canada.

CE Notice (European Union)

Marking by the symbol **CE** indicates compliance of this Dell computer to the EMC Directive and the Low Voltage Directive of the European Union. Such marking is indicative that this Dell system meets the following technical standards:

- EN 55022 — "Information Technology Equipment - Radio Disturbance Characteristics - Limits and Methods of Measurement."
- EN 55024 — "Information Technology Equipment - Immunity Characteristics - Limits and Methods of Measurement."
- EN 61000-3-2 — "Electromagnetic Compatibility (EMC) - Part 3: Limits - Section 2: Limits for Harmonic Current Emissions (Equipment Input Current Up to and Including 16 A Per Phase)."

- EN 61000-3-3 — "Electromagnetic Compatibility (EMC) - Part 3: Limits - Section 3: Limitation of Voltage Fluctuations and Flicker in Low-Voltage Supply Systems for Equipment With Rated Current Up to and Including 16 A."
- EN 60950 — "Safety of Information Technology Equipment."

NOTE: EN 55022 emissions requirements provide for two classifications:

- Class A is for typical commercial areas.
- Class B is for typical domestic areas.

This Dell device is classified for use in a typical Class B domestic environment.

A "Declaration of Conformity" in accordance with the preceding directives and standards has been made and is on file at Dell Computer Corporation Products Europe BV, Limerick, Ireland.

CE Mark Notice

This equipment complies with the essential requirements of the European Union Directive 1999/5/EC.

Cet équipement est conforme aux principales caractéristiques définies dans la Directive européenne RTTE 1999/5/CE.

Die Geräte erfüllen die grundlegenden Anforderungen der RTTE-Richtlinie (1999/5/EG).

Questa apparecchiatura è conforme ai requisiti essenziali della Direttiva Europea R&TTE 1999/5/CE.

Este equipo cumple los requisitos principales de la Directiva 1999/5/CE de la UE, "Equipos de Terminales de Radio y Telecomunicaciones".

Este equipamento cumpre os requisitos essenciais da Directiva 1999/5/CE do Parlamento Europeu e do Conselho (Directiva RTT).

Ο εξοπλισμός αυτός πληροί τις βασικές απαιτήσεις της κοινοτικής οδηγίας EU R&TTE 1999/5/EK.

Deze apparatuur voldoet aan de noodzakelijke vereisten van EU-richtlijn betreffende radioapparatuur en telecommunicatie-eindapparatuur 1999/5/EG.

Dette udstyr opfylder de Væsentlige krav i EU's direktiv 1999/5/EC om Radio- og teleterminaludstyr.

Dette utstyret er i overensstemmelse med hovedkravene i R&TTE-direktivet (1999/5/EC) fra EU.

Utrustningen uppfyller kraven för EU-direktivet 1999/5/EC om ansluten teleutrustning och ömsesidigt erkännande av utrustningens överensstämmelse (R&TTE).

Tämä laite vastaa EU:n radio- ja telepäätelaitedirektiivin (EU R&TTE Directive 1999/5/EC) vaatimuksia.

Simplified Chinese Class A Warning Notice (China Only)

On Class A systems, the following warning will appear near the regulatory label:

Warning: This is a Class A product. In a domestic environment this product may cause radio interference, in which case the user may be required to take adequate measures.

声明

此为 A 级产品，在生活环境中，该产品可能会造成无线电干扰。在这种情况下，可能需要用户对其干扰采取切实可行的措施。

EN 55022 Compliance (Czech Republic Only)

This device belongs to Class B devices as described in EN 55022, unless it is specifically stated that it is a Class A device on the specification label. The following applies to devices in Class A of EN 55022 (radius of protection up to 30 meters). The user of the device is obliged to take all steps necessary to remove sources of interference to telecommunication or other devices.

Pokud není na typovém štítku počítače uvedeno, že spadá do třídy A podle EN 55022, spadá automaticky do třídy B podle EN 55022. Pro zařízení zařazená do třídy A (ochranné pásmo 30m) podle EN 55022 platí následující. Dojde-li k rušení telekomunikačních nebo jiných zařízení, je uživatel povinen provést taková opatření, aby rušení odstranil.

VCCI Notice (Japan Only)

Most Dell computers are classified by the Voluntary Control Council for Interference (VCCI) as Class B information technology equipment (ITE). However, the inclusion of certain options can change the rating of some configurations to Class A. ITE, including devices, expansion cards, printers, input/output (I/O) devices, monitors, and so on, integrated into or connected to the computer should match the electromagnetic environment classification (Class A or B) of the computer.

To determine which classification applies to your computer, examine the regulatory labels/markings (see "VCCI Class A ITE Regulatory Mark" and "VCCI Class B ITE Regulatory Mark") located on the bottom or back panel of your computer. Once you have determined your computer's VCCI classification, read the appropriate VCCI notice.

Class A ITE

この装置は、情報処理装置等電波障害自主規制協議会 (VCCI) の基準に基づくクラス A 情報技術装置です。この装置を家庭環境で使用すると電波妨害を引き起こすことがあります。この場合には使用者が適切な対策を講ずるよう要求されることがあります。

This is a Class A product based on the standard of the Voluntary Control Council for Interference (VCCI) for information technology equipment. If this equipment is used in a domestic environment, radio disturbance may arise. When such trouble occurs, the user may be required to take corrective actions.

VCCI Class A ITE Regulatory Mark

If the regulatory label includes the following marking, your computer is a Class A product:

VCCI

Class B ITE

この装置は、情報処理装置等電波障害自主規制協議会(VCCI)の基準に基づくクラス B 情報技術装置です。この装置は家庭環境で使用することを目的としていますが、ラジオやテレビジョン受信機に近接して使用されると、受信障害を引き起こすことがあります。取扱説明書に従って正しい取り扱いをしてください。

This is a Class B product based on the standard of the Voluntary Control Council for Interference (VCCI) for information technology equipment. If this equipment is used near a radio or television receiver in a domestic environment, it may cause radio interference. Install and use the equipment according to the instruction manual.

VCCI Class B ITE Regulatory Mark

If the regulatory label includes the following marking, your computer is a Class B product:



NOM Information (Mexico Only)

The following information is provided on the device(s) described in this document in compliance with the requirements of the official Mexican standards (NOM):

Exporter:	Dell Computer Corporation One Dell Way Round Rock, TX 78682
Importer:	Dell Computer de México, S.A. de C.V. Paseo de la Reforma 2620 - 11° Piso Col. Lomas Altas 11950 México, D.F.
Ship to:	Dell Computer de México, S.A. de C.V. al Cuidado de Kuehne & Nagel de México S. de R.I. Avenida Soles No. 55 Col. Peñon de los Baños 15520 México, D.F.
Model number:	PRX
Supply voltage:	100–240 VAC
Frequency:	50–60 Hz
Current Consumption:	1.5 A
Output voltage:	20 VDC
Output current:	3.5–4.5 A

Limited Warranties and Return Policy

Dell-branded hardware products purchased in the U.S. or Canada come with either a one-year, two-year, three-year, or four-year (U.S. only) limited warranty. To determine which warranty you purchased, see the Dell invoice that accompanied your computer. The following sections describe these limited warranties, the manufacturer guarantee for Latin America and the Caribbean, and the return policy for the U.S.

One-Year Limited Warranty (U.S. Only)

Dell Computer Corporation ("Dell") manufactures its hardware products from parts and components that are new or equivalent to new in accordance with industry-standard practices. Dell warrants that the hardware products it manufactures will be free from defects in materials and workmanship. The limited warranty term is one year beginning on the date of invoice, as further described in the following text.

Damage due to shipping the products to you is covered under this limited warranty. Otherwise, this limited warranty does not cover damage due to external causes, including accident, abuse, misuse, problems with electrical power, servicing not authorized by Dell, usage not in accordance with product instructions, failure to perform required preventive maintenance, and problems caused by use of parts and components not supplied by Dell.

This limited warranty does not cover any items that are in one or more of the following categories: software; external devices (except as specifically noted); accessories or parts added to a Dell system after the system is shipped from Dell; accessories or parts added to a Dell system through Dell's system integration department; accessories or parts that are not installed in the Dell factory; or Dell Software and Peripherals products. Monitors, keyboards, and mice that are Dell-branded or that are included on Dell's standard price list are covered under this limited warranty; all other monitors, keyboards, and mice (including those sold through the Dell Software and Peripherals program) are not covered.

Dell will repair or replace products covered under this limited warranty that are returned to Dell's facility. To request warranty service, you must contact Dell's Customer Technical Support within the limited warranty period. See "Contacting Dell" in the documentation that came with your computer to find the appropriate contact information for obtaining customer assistance. If warranty service is required, Dell will issue a Return Material Authorization Number. You must ship the products back to Dell in their original or equivalent packaging, prepay shipping charges, and insure the shipment or accept the risk of loss or damage during shipment. Dell will ship the repaired or replacement products to you (freight prepaid) if you use an address in the continental U.S., where applicable. Shipments to other locations will be made freight collect.

NOTE: Before you ship the product(s) to Dell, back up the data on the hard drive(s) and any other storage device(s) in the product(s). Remove any removable media, such as floppy disks, CDs, or PC Cards. Dell does not accept liability for lost data or software.

Dell owns all parts removed from repaired products. Dell uses new and reconditioned parts made by various manufacturers in performing warranty repairs and building replacement products. If Dell repairs or replaces a product, its warranty term is not extended.

THIS LIMITED WARRANTY GIVES YOU SPECIFIC LEGAL RIGHTS, AND YOU MAY ALSO HAVE OTHER RIGHTS, WHICH VARY FROM STATE TO STATE (OR JURISDICTION TO JURISDICTION). DELL'S RESPONSIBILITY FOR MALFUNCTIONS AND DEFECTS IN HARDWARE IS LIMITED TO REPAIR AND REPLACEMENT AS SET FORTH IN THIS LIMITED WARRANTY STATEMENT. ALL EXPRESS AND IMPLIED WARRANTIES FOR THE PRODUCT, INCLUDING BUT NOT LIMITED TO ANY IMPLIED WARRANTIES OF AND CONDITIONS OF MERCHANTABILITY AND FITNESS FOR A PARTICULAR PURPOSE, ARE LIMITED IN DURATION TO THE WARRANTY PERIOD SET FORTH ABOVE AND NO WARRANTIES, WHETHER EXPRESS OR IMPLIED, WILL APPLY AFTER SUCH PERIOD.

SOME STATES (OR JURISDICTIONS) DO NOT ALLOW LIMITATIONS ON HOW LONG AN IMPLIED WARRANTY LASTS, SO THE PRECEDING LIMITATION MAY NOT APPLY TO YOU.

DELL DOES NOT ACCEPT LIABILITY BEYOND THE REMEDIES SET FORTH IN THIS LIMITED WARRANTY STATEMENT OR LIABILITY FOR INCIDENTAL OR CONSEQUENTIAL DAMAGES, INCLUDING WITHOUT LIMITATION ANY LIABILITY FOR PRODUCTS NOT BEING AVAILABLE FOR USE OR FOR LOST DATA OR SOFTWARE.

SOME STATES (OR JURISDICTIONS) DO NOT ALLOW THE EXCLUSION OR LIMITATION OF INCIDENTAL OR CONSEQUENTIAL DAMAGES, SO THE PRECEDING EXCLUSION OR LIMITATION MAY NOT APPLY TO YOU.

These provisions apply to Dell's one-year limited warranty only. For provisions of any service contract covering your system, see your invoice or the separate service contract that you will receive.

If Dell elects to exchange a product or portion of a product, the exchange will be made in accordance with Dell's Exchange Policy in effect on the date of the exchange. In any instance in which Dell issues a Return Material Authorization Number, Dell must receive the product(s) for repair prior to the expiration of the warranty period in order for the repair(s) to be covered by the limited warranty.

Two-Year Limited Warranty (U.S. Only)

Dell Computer Corporation ("Dell") manufactures its hardware products from parts and components that are new or equivalent to new in accordance with industry-standard practices. Dell warrants that the hardware products it manufactures will be free from defects in materials and workmanship. The limited warranty term is two years beginning on the date of invoice, as further described in the following section.

Damage due to shipping the products to you is covered under this warranty. Otherwise, this limited warranty does not cover damage due to external causes, including accident, abuse, misuse, problems with electrical power, servicing not authorized by Dell, usage not in accordance with product instructions, failure to perform required preventive maintenance, and problems caused by use of parts and components not supplied by Dell.

This limited warranty does not cover any items that are in one or more of the following categories: software; external devices (except as specifically noted); accessories or parts added to a Dell system after the system is shipped from Dell; accessories or parts added to a Dell system through Dell's system integration department; accessories or parts that are not installed in the Dell factory; or Dell Software and Peripherals products. Monitors, keyboards, and mice that are Dell-branded or that are included on Dell's standard price list are covered under this warranty; all other monitors, keyboards, and mice (including those sold through the Dell Software and Peripherals program) are not covered. Batteries for portable computers are covered only during the initial one-year period of this limited warranty.

Limited Warranty Coverage During Year One

During the one-year period beginning on the invoice date, Dell will repair or replace products covered under this limited warranty that are returned to Dell's facility. To request warranty service, you must contact Dell's Customer Technical Support within the warranty period. See "Contacting Dell" in the documentation that came with your computer to find the appropriate contact information for obtaining customer assistance. If warranty service is required, Dell will issue a Return Material Authorization Number. You must ship the products back to Dell in their original or equivalent packaging, prepay shipping charges, and insure the shipment or accept the risk of loss or damage during shipment. Dell will ship the repaired or replacement products to you freight prepaid if you use an address in the continental U.S., where applicable. Shipments to other locations will be made freight collect.

NOTE: Before you ship the product(s) to Dell, back up the data on the hard drive(s) and any other storage device(s) in the product(s). Remove any removable media, such as floppy disks, CDs, or PC Cards. Dell does not accept liability for lost data or software.

Dell owns all parts removed from repaired products. Dell uses new and reconditioned parts made by various manufacturers in performing warranty repairs and building replacement products. If Dell repairs or replaces a product, its warranty term is not extended.

Limited Warranty Coverage During Year Two

During the second year of this limited warranty, Dell will provide, on an exchange basis and subject to Dell's Exchange Policy in effect on the date of the exchange, replacement parts for the Dell hardware product(s) covered under this limited warranty when a part requires replacement. You must report each instance of hardware failure to Dell's Customer Technical Support in advance to obtain Dell's concurrence that a part should be replaced and to have Dell ship the replacement part. Dell will ship parts (freight prepaid) if you use an address in the continental U.S., where applicable. Shipments to other locations, where applicable, will be made freight collect. Dell will include a prepaid shipping container with each replacement part for your use in returning the replaced part to Dell. Replacement parts are new or reconditioned. Dell may provide replacement parts made by various manufacturers when supplying parts to you. The warranty term for a replacement part is the remainder of the limited warranty term.

You will pay Dell for replacement parts if the replaced part is not returned to Dell. The process for returning replaced parts, and your obligation to pay for replacement parts if you do not return the replaced parts to Dell, will be in accordance with Dell's Exchange Policy in effect on the date of the exchange.

You accept full responsibility for your software and data. Dell is not required to advise or remind you of appropriate backup and other procedures.

General Provisions

THIS LIMITED WARRANTY GIVES YOU SPECIFIC LEGAL RIGHTS, AND YOU MAY ALSO HAVE OTHER RIGHTS, WHICH VARY FROM STATE TO STATE (OR JURISDICTION TO JURISDICTION). DELL'S RESPONSIBILITY FOR MALFUNCTIONS AND DEFECTS IN HARDWARE IS LIMITED TO REPAIR AND REPLACEMENT AS SET FORTH IN THIS LIMITED WARRANTY STATEMENT. ALL EXPRESS AND IMPLIED WARRANTIES FOR THE PRODUCT, INCLUDING BUT NOT LIMITED TO ANY IMPLIED WARRANTIES OF AND CONDITIONS OF MERCHANTABILITY AND FITNESS FOR A PARTICULAR PURPOSE, ARE LIMITED IN DURATION TO THE WARRANTY PERIOD SET FORTH ABOVE AND NO WARRANTIES, WHETHER EXPRESS OR IMPLIED, WILL APPLY AFTER SUCH PERIOD. SOME STATES (OR JURISDICTIONS) DO NOT ALLOW LIMITATIONS ON HOW LONG AN IMPLIED WARRANTY LASTS, SO THE PRECEDING LIMITATION MAY NOT APPLY TO YOU.

DELL DOES NOT ACCEPT LIABILITY BEYOND THE REMEDIES SET FORTH IN THIS LIMITED WARRANTY STATEMENT OR LIABILITY FOR INCIDENTAL OR CONSEQUENTIAL DAMAGES, INCLUDING WITHOUT LIMITATION ANY LIABILITY FOR PRODUCTS NOT BEING AVAILABLE FOR USE OR FOR LOST DATA OR SOFTWARE. SOME STATES (OR JURISDICTIONS) DO NOT ALLOW THE EXCLUSION OR LIMITATION OF INCIDENTAL OR CONSEQUENTIAL DAMAGES, SO THE PRECEDING EXCLUSION OR LIMITATION MAY NOT APPLY TO YOU.

These provisions apply to Dell's two-year limited warranty only. For provisions of any service contract covering your system, see your invoice or the separate service contract that you will receive.

If Dell elects to exchange a system or component, the exchange will be made in accordance with Dell's Exchange Policy in effect on the date of the exchange. In any instance in which Dell issues a Return Material Authorization Number, Dell must receive the product(s) for repair prior to the expiration of the warranty period in order for the repair(s) to be covered by the limited warranty.

Three-Year Limited Warranty (U.S. Only)

Dell Computer Corporation ("Dell") manufactures its hardware products from parts and components that are new or equivalent to new in accordance with industry-standard practices. Dell warrants that the hardware products it manufactures will be free from defects in materials and workmanship. The limited warranty term is three years beginning on the date of invoice, as described in the following text.

Damage due to shipping the products to you is covered under this limited warranty. Otherwise, this limited warranty does not cover damage due to external causes, including accident, abuse, misuse, problems with electrical power, servicing not authorized by Dell, usage not in accordance with product instructions, failure to perform required preventive maintenance, and problems caused by use of parts and components not supplied by Dell.

This limited warranty does not cover any items that are in one or more of the following categories: software; external devices (except as specifically noted); accessories or parts added to a Dell system after the system is shipped from Dell; accessories or parts added to a Dell system through Dell's system integration department; accessories or parts that are not installed in the Dell factory; or Dell Software and Peripherals products. Monitors, keyboards, and mice that are Dell-branded or that are included on Dell's standard price list are covered under this limited warranty; all other monitors, keyboards, and mice (including those sold through the Dell Software and Peripherals program) are not covered. Batteries for portable computers are covered only during the initial one-year period of this limited warranty.

Limited Warranty Coverage During Year One

During the one-year period beginning on the invoice date, Dell will repair or replace products covered under this limited warranty that are returned to Dell's facility. To request warranty service, you must contact Dell's Customer Technical Support within the warranty period. See "Contacting Dell" in the documentation that came with your computer to find the appropriate contact information for obtaining customer assistance. If warranty service is required, Dell will issue a Return Material Authorization Number. You must ship the products back to Dell in their original or equivalent packaging, prepay shipping charges, and insure the shipment or accept the risk of loss or damage during shipment. Dell will ship the repaired or replacement products to you freight prepaid if you use an address in the continental U.S., where applicable. Shipments to other locations will be made freight collect.

NOTE: Before you ship the product(s) to Dell, back up the data on the hard drive(s) and any other storage device(s) in the product(s). Remove any removable media, such as floppy disks, CDs, or PC Cards. Dell does not accept liability for lost data or software.

Dell owns all parts removed from repaired products. Dell uses new and reconditioned parts made by various manufacturers in performing warranty repairs and building replacement products. If Dell repairs or replaces a product, its warranty term is not extended.

Limited Warranty Coverage During Years Two and Three

During the second and third years of this limited warranty, Dell will provide, on an exchange basis and subject to Dell's Exchange Policy in effect on the date of the exchange, replacement parts for the Dell hardware product(s) covered under this limited warranty when a part requires replacement. You must report each instance of hardware failure to Dell's Customer Technical Support in advance to obtain Dell's concurrence that a part should be replaced and to have Dell ship the replacement part. Dell will ship parts (freight prepaid) if you use an address in the continental U.S., where applicable. Shipments to other locations will be made freight collect. Dell will include a prepaid shipping container with each replacement part for your use in returning the replaced part to Dell. Replacement parts are new or reconditioned. Dell may provide replacement parts made by various manufacturers when supplying parts to you. The warranty term for a replacement part is the remainder of the limited warranty term.

You will pay Dell for replacement parts if the replaced part is not returned to Dell. The process for returning replaced parts, and your obligation to pay for replacement parts if you do not return the replaced parts to Dell, will be in accordance with Dell's Exchange Policy in effect on the date of the exchange.

You accept full responsibility for your software and data. Dell is not required to advise or remind you of appropriate backup and other procedures.

General Provisions

THIS LIMITED WARRANTY GIVES YOU SPECIFIC LEGAL RIGHTS, AND YOU MAY ALSO HAVE OTHER RIGHTS, WHICH VARY FROM STATE TO STATE (OR JURISDICTION TO JURISDICTION). DELL'S RESPONSIBILITY FOR MALFUNCTIONS AND DEFECTS IN HARDWARE IS LIMITED TO REPAIR AND REPLACEMENT AS SET FORTH IN THIS LIMITED WARRANTY STATEMENT. ALL EXPRESS AND IMPLIED WARRANTIES FOR THE PRODUCT, INCLUDING BUT NOT LIMITED TO ANY IMPLIED WARRANTIES OF AND CONDITIONS OF MERCHANTABILITY AND FITNESS FOR A PARTICULAR PURPOSE, ARE LIMITED IN DURATION TO THE WARRANTY PERIOD SET FORTH ABOVE AND NO WARRANTIES, WHETHER EXPRESS OR IMPLIED, WILL APPLY AFTER SUCH PERIOD.

SOME STATES (OR JURISDICTIONS) DO NOT ALLOW LIMITATIONS ON HOW LONG AN IMPLIED WARRANTY LASTS, SO THE PRECEDING LIMITATION MAY NOT APPLY TO YOU.

DELL DOES NOT ACCEPT LIABILITY BEYOND THE REMEDIES SET FORTH IN THIS LIMITED WARRANTY STATEMENT OR LIABILITY FOR INCIDENTAL OR CONSEQUENTIAL DAMAGES, INCLUDING WITHOUT LIMITATION ANY LIABILITY FOR PRODUCTS NOT BEING AVAILABLE FOR USE OR FOR LOST DATA OR SOFTWARE.

SOME STATES (OR JURISDICTIONS) DO NOT ALLOW THE EXCLUSION OR LIMITATION OF INCIDENTAL OR CONSEQUENTIAL DAMAGES, SO THE PRECEDING EXCLUSION OR LIMITATION MAY NOT APPLY TO YOU.

These provisions apply to Dell's three-year limited warranty only. For provisions of any service contract covering your system, see your invoice or the separate service contract that you will receive.

If Dell elects to exchange a system or component, the exchange will be made in accordance with Dell's Exchange Policy in effect on the date of the exchange. In any instance in which Dell issues a Return Material Authorization Number, Dell must receive the product(s) for repair prior to the expiration of the warranty period in order for the repair(s) to be covered by the limited warranty.

Four-Year Limited Warranty (U.S. Only)

Dell Computer Corporation ("Dell") manufactures its hardware products from parts and components that are new or equivalent to new in accordance with industry-standard practices. Dell warrants that the hardware products it manufactures will be free from defects in materials and workmanship. The limited warranty term is four years beginning on the date of invoice, as further described in the following text.

Damage due to shipping the products to you is covered under this limited warranty. Otherwise, this limited warranty does not cover damage due to external causes, including accident, abuse, misuse, problems with electrical power, servicing not authorized by Dell, usage not in accordance with product instructions, failure to perform required preventive maintenance, and problems caused by use of parts and components not supplied by Dell.

This limited warranty does not cover any items that are in one or more of the following categories: software; external devices (except as specifically noted); accessories or parts added to a Dell system after the system is shipped from Dell; accessories or parts added to a Dell system through Dell's system integration department; accessories or parts that are not installed in the Dell factory; or Dell Software and Peripherals products. Monitors, keyboards, and mice that are Dell-branded or that are included on Dell's standard price list are covered under this limited warranty; all other monitors, keyboards, and mice (including those sold through the Dell Software and Peripherals program) are not covered. Batteries for portable computers are covered only during the initial one-year period of this limited warranty.

Limited Warranty Coverage During Year One

During the one-year period beginning on the invoice date, Dell will repair or replace products covered under this limited warranty that are returned to Dell's facility. To request limited warranty service, you must contact Dell's Customer Technical Support within the limited warranty period. See "Contacting Dell" in the documentation that came with your computer to find the appropriate contact information for obtaining customer assistance. If limited warranty service is required, Dell will issue a Return Material Authorization Number. You must ship the products back to Dell in their original or equivalent packaging, prepay shipping charges, and insure the shipment or accept the risk of loss or damage during shipment. Dell will ship the repaired or replacement products to you freight prepaid if you use an address in the continental U.S., where applicable. Shipments to other locations will be made freight collect.

NOTE: Before you ship the product(s) to Dell, back up the data on the hard drive(s) and any other storage device(s) in the product(s). Remove any removable media, such as floppy disks, CDs, or PC Cards. Dell does not accept liability for lost data or software.

Dell owns all parts removed from repaired products. Dell uses new and reconditioned parts made by various manufacturers in performing limited warranty repairs and building replacement products. If Dell repairs or replaces a product, its limited warranty term is not extended.

Limited Warranty Coverage During Years Two, Three, and Four

During the second, third, and fourth years of this limited warranty, Dell will provide, on an exchange basis and subject to Dell's Exchange Policy in effect on the date of the exchange, replacement parts for the Dell hardware product(s) covered under this limited warranty when a part requires replacement. You must report each instance of hardware failure to Dell's Customer Technical Support in advance to obtain Dell's concurrence that a part should be replaced and to have Dell ship the replacement part. Dell will ship parts (freight prepaid) if you use an address in the continental U.S., where applicable. Shipments to other locations will be made freight collect. Dell will include a prepaid shipping container with each replacement part for your use in returning the replaced part to Dell. Replacement parts are new or reconditioned. Dell may provide replacement parts made by various manufacturers when supplying parts to you. The limited warranty term for a replacement part is the remainder of the limited warranty term.

You will pay Dell for replacement parts when the replaced part is not returned to Dell. The process for returning replaced parts, and your obligation to pay for replacement parts if you do not return the replaced parts to Dell, will be in accordance with Dell's Exchange Policy in effect on the date of the exchange.

You accept full responsibility for your software and data. Dell is not required to advise or remind you of appropriate backup and other procedures.

General Provisions

THIS LIMITED WARRANTY GIVES YOU SPECIFIC LEGAL RIGHTS, AND YOU MAY ALSO HAVE OTHER RIGHTS, WHICH VARY FROM STATE TO STATE (OR JURISDICTION TO JURISDICTION). DELL'S RESPONSIBILITY FOR MALFUNCTIONS AND DEFECTS IN HARDWARE IS LIMITED TO REPAIR AND REPLACEMENT AS SET FORTH IN THIS LIMITED WARRANTY STATEMENT. ALL EXPRESS AND IMPLIED WARRANTIES FOR THE PRODUCT, INCLUDING BUT NOT LIMITED TO ANY IMPLIED WARRANTIES OF AND CONDITIONS OF MERCHANTABILITY AND FITNESS FOR A PARTICULAR PURPOSE, ARE LIMITED IN DURATION TO THE LIMITED WARRANTY PERIOD SET FORTH ABOVE AND NO WARRANTIES, WHETHER EXPRESS OR IMPLIED, WILL APPLY AFTER SUCH PERIOD. SOME STATES (OR JURISDICTIONS) DO NOT ALLOW LIMITATIONS ON HOW LONG AN IMPLIED WARRANTY LASTS, SO THE PRECEDING LIMITATION MAY NOT APPLY TO YOU.

DELL DOES NOT ACCEPT LIABILITY BEYOND THE REMEDIES SET FORTH IN THIS LIMITED WARRANTY STATEMENT OR LIABILITY FOR INCIDENTAL OR CONSEQUENTIAL DAMAGES, INCLUDING WITHOUT LIMITATION ANY LIABILITY FOR PRODUCTS NOT BEING AVAILABLE FOR USE OR FOR LOST DATA OR SOFTWARE. SOME STATES (OR JURISDICTIONS) DO NOT ALLOW THE EXCLUSION OR LIMITATION OF INCIDENTAL OR CONSEQUENTIAL DAMAGES, SO THE PRECEDING EXCLUSION OR LIMITATION MAY NOT APPLY TO YOU.

If Dell elects to exchange a system or component, the exchange will be made in accordance with Dell's Exchange Policy in effect on the date of the exchange. In any instance in which Dell issues a Return Material Authorization Number, Dell must receive the product(s) for repair prior to the expiration of the limited warranty period in order for the repairs to be covered by the limited warranty.

These provisions apply to Dell's four-year limited warranty only. For provisions of any on-site service contract covering your system, see the separate on-site service contract that you will receive.

One-Year Limited Warranty (Canada Only)

Dell Computer Corporation ("Dell") manufactures its hardware products from parts and components that are new or equivalent to new in accordance with industry-standard practices. Dell warrants that the hardware products it manufactures will be free from defects in materials and workmanship. The limited warranty term is one year beginning on the date of invoice, as further described in the following text.

Damage due to shipping the products to you is covered under this limited warranty. Otherwise, this limited warranty does not cover damage due to external causes, including accident, abuse, misuse, problems with electrical power, servicing not authorized by Dell, usage not in accordance with product instructions, failure to perform required preventive maintenance, and problems caused by use of parts and components not supplied by Dell.

This limited warranty does not cover any items that are in one or more of the following categories: software; external devices (except as specifically noted); accessories or parts added to a Dell system after the system is shipped from Dell; accessories or parts added to a Dell system through Dell's system integration department; accessories or parts that are not installed in the Dell factory; or Dell Software and Peripherals products. Monitors, keyboards, and mice that are Dell-branded or that are included on Dell's standard price list are covered under this limited warranty; all other monitors, keyboards, and mice (including those sold through the Dell Software and Peripherals program) are not covered.

Dell will repair or replace products covered under this limited warranty that are returned to Dell's facility. To request warranty service, you must contact Dell's Customer Technical Support within the warranty period. See "Contacting Dell" in the documentation that came with your computer to find the appropriate contact information for obtaining customer assistance. If warranty service is required, Dell will issue a Return Material Authorization Number. You must ship the products back to Dell in their original or equivalent packaging, prepay shipping charges, and insure the shipment or accept the risk of loss or damage during shipment. Dell will ship the repaired or replacement products to you (freight prepaid) if you use an address in Canada, where applicable. Shipments to other locations will be made freight collect.

NOTE: Before you ship the product(s) to Dell, back up the data on the hard drive(s) and any other storage device(s) in the product(s). Remove any removable media, such as floppy disks, CDs, or PC Cards. Dell does not accept liability for lost data or software.

Dell owns all parts removed from repaired products. Dell uses new and reconditioned parts made by various manufacturers in performing warranty repairs and building replacement products. If Dell repairs or replaces a product, its warranty term is not extended.

DELL MAKES NO EXPRESS WARRANTIES OR CONDITIONS BEYOND THOSE STATED IN THIS LIMITED WARRANTY STATEMENT. DELL DISCLAIMS ALL OTHER WARRANTIES AND CONDITIONS, EXPRESS OR IMPLIED, INCLUDING WITHOUT LIMITATION IMPLIED WARRANTIES AND CONDITIONS OF MERCHANTABILITY AND FITNESS FOR A PARTICULAR PURPOSE. SOME STATES (OR JURISDICTIONS) DO NOT ALLOW LIMITATIONS ON IMPLIED WARRANTIES OR CONDITIONS, SO THIS LIMITATION MAY NOT APPLY TO YOU.

DELL'S RESPONSIBILITY FOR MALFUNCTIONS AND DEFECTS IN HARDWARE IS LIMITED TO REPAIR AND REPLACEMENT AS SET FORTH IN THIS LIMITED WARRANTY STATEMENT. THESE WARRANTIES GIVE YOU SPECIFIC LEGAL RIGHTS, AND YOU MAY ALSO HAVE OTHER RIGHTS, WHICH VARY FROM STATE TO STATE (OR JURISDICTION TO JURISDICTION).

DELL DOES NOT ACCEPT LIABILITY BEYOND THE REMEDIES SET FORTH IN THIS LIMITED WARRANTY STATEMENT OR LIABILITY FOR INCIDENTAL, INDIRECT, SPECIAL, PUNITIVE, OR CONSEQUENTIAL DAMAGES, INCLUDING WITHOUT LIMITATION ANY LIABILITY FOR PRODUCTS NOT BEING AVAILABLE FOR USE OR FOR LOST DATA OR SOFTWARE.

SOME STATES (OR JURISDICTIONS) DO NOT ALLOW THE EXCLUSION OR LIMITATION OF INCIDENTAL, INDIRECT, SPECIAL, PUNITIVE, OR CONSEQUENTIAL DAMAGES, SO THE PRECEDING EXCLUSION OR LIMITATION MAY NOT APPLY TO YOU.

These provisions apply to Dell's one-year limited warranty only. For provisions of any service contract covering your system, see your invoice or the separate service contract that you will receive.

If Dell elects to exchange a product or portion of a product, the exchange will be made in accordance with Dell's Exchange Policy in effect on the date of the exchange. In any instance in which Dell issues a Return Material Authorization Number, Dell must receive the product(s) for repair prior to the expiration of the warranty period in order for the repair(s) to be covered by the limited warranty.

Two-Year Limited Warranty (Canada Only)

Dell Computer Corporation ("Dell") manufactures its hardware products from parts and components that are new or equivalent to new in accordance with industry-standard practices. Dell warrants that the hardware products it manufactures will be free from defects in materials and workmanship. The warranty term is two years beginning on the date of invoice, as described in the following text.

Damage due to shipping the products to you is covered under this limited warranty. Otherwise, this limited warranty does not cover damage due to external causes, including accident, abuse, misuse, problems with electrical power, servicing not authorized by Dell, usage not in accordance with product instructions, failure to perform required preventive maintenance, and problems caused by use of parts and components not supplied by Dell.

This limited warranty does not cover any items that are in one or more of the following categories: software; external devices (except as specifically noted); accessories or parts added to a Dell system after the system is shipped from Dell; accessories or parts added to a Dell system through Dell's system integration department; accessories or parts that are not installed in the Dell factory; or Dell Software and Peripherals products. Monitors, keyboards, and mice that are Dell-branded or that are included on Dell's standard price list are covered under this limited warranty; all other monitors, keyboards, and mice (including those sold through the Dell Software and Peripherals program) are not covered. Batteries for portable computers are covered only during the initial one-year period of this limited warranty.

Limited Warranty Coverage During Year One

During the one-year period beginning on the invoice date, Dell will repair or replace products covered under this limited warranty that are returned to Dell's facility. To request warranty service, you must contact Dell's Customer Technical Support within the warranty period. See "Contacting Dell" in the documentation that came with your computer to find the appropriate contact information for obtaining customer assistance. If warranty service is required, Dell will issue a Return Material Authorization Number. You must ship the products back to Dell in their original or equivalent packaging, prepay shipping charges, and insure the shipment or accept the risk of loss or damage during shipment. Dell will ship the repaired or replacement products to you freight prepaid if you use an address in Canada, where applicable. Shipments to other locations will be made freight collect.

NOTE: Before you ship the product(s) to Dell, back up the data on the hard drive(s) and any other storage device(s) in the product(s). Remove any removable media, such as floppy disks, CDs, or PC Cards. Dell does not accept liability for lost data or software.

Dell owns all parts removed from repaired products. Dell uses new and reconditioned parts made by various manufacturers in performing warranty repairs and building replacement products. If Dell repairs or replaces a product, its warranty term is not extended.

Limited Warranty Coverage During Year Two

During the second year of this limited warranty, Dell will provide, on an exchange basis and subject to Dell's Exchange Policy in effect on the date of the exchange, replacement parts for the Dell hardware product(s) covered under this limited warranty when a part requires replacement. You must report each instance of hardware failure to Dell's Customer Technical Support in advance to obtain Dell's concurrence that a part should be replaced and to have Dell ship the replacement part. Dell will ship parts (freight prepaid) if you use an address in Canada, where applicable. Shipments to other locations will be made freight collect. Dell will include a prepaid shipping container with each replacement part for your use in returning the replaced part to Dell. Replacement parts are new or reconditioned. Dell may provide replacement parts made by various manufacturers when supplying parts to you. The warranty term for a replacement part is the remainder of the limited warranty term.

You will pay Dell for replacement parts if the replaced part is not returned to Dell. The process for returning replaced parts, and your obligation to pay for replacement parts if you do not return the replaced parts to Dell, will be in accordance with Dell's Exchange Policy in effect on the date of the exchange.

You accept full responsibility for your software and data. Dell is not required to advise or remind you of appropriate backup and other procedures.

General Provisions

DELL MAKES NO EXPRESS WARRANTIES OR CONDITIONS BEYOND THOSE STATED IN THIS LIMITED WARRANTY STATEMENT. DELL DISCLAIMS ALL OTHER WARRANTIES AND CONDITIONS, EXPRESS OR IMPLIED, INCLUDING WITHOUT LIMITATION IMPLIED WARRANTIES AND CONDITIONS OF MERCHANTABILITY AND FITNESS FOR A PARTICULAR PURPOSE. SOME STATES (OR JURISDICTIONS) DO NOT ALLOW LIMITATIONS ON IMPLIED WARRANTIES OR CONDITIONS, SO THIS LIMITATION MAY NOT APPLY TO YOU.

DELL'S RESPONSIBILITY FOR MALFUNCTIONS AND DEFECTS IN HARDWARE IS LIMITED TO REPAIR AND REPLACEMENT AS SET FORTH IN THIS LIMITED WARRANTY STATEMENT. THESE WARRANTIES GIVE YOU SPECIFIC LEGAL RIGHTS, AND YOU MAY ALSO HAVE OTHER RIGHTS, WHICH VARY FROM STATE TO STATE (OR JURISDICTION TO JURISDICTION).

DELL DOES NOT ACCEPT LIABILITY BEYOND THE REMEDIES SET FORTH IN THIS LIMITED WARRANTY STATEMENT OR LIABILITY FOR INCIDENTAL, INDIRECT, SPECIAL, PUNITIVE, OR CONSEQUENTIAL DAMAGES, INCLUDING WITHOUT LIMITATION ANY LIABILITY FOR PRODUCTS NOT BEING AVAILABLE FOR USE OR FOR LOST DATA OR SOFTWARE.

SOME STATES (OR JURISDICTIONS) DO NOT ALLOW THE EXCLUSION OR LIMITATION OF INCIDENTAL, INDIRECT, SPECIAL, PUNITIVE, OR CONSEQUENTIAL DAMAGES, SO THE PRECEDING EXCLUSION OR LIMITATION MAY NOT APPLY TO YOU.

These provisions apply to Dell's two-year limited warranty only. For provisions of any service contract covering your system, see your invoice or the separate service contract that you will receive.

If Dell elects to exchange a system or component, the exchange will be made in accordance with Dell's Exchange Policy in effect on the date of the exchange. In any instance in which Dell issues a Return Material Authorization Number, Dell must receive the product(s) for repair prior to the expiration of the warranty period in order for the repair(s) to be covered by the limited warranty.

Three-Year Limited Warranty (Canada Only)

Dell Computer Corporation ("Dell") manufactures its hardware products from parts and components that are new or equivalent to new in accordance with industry-standard practices. Dell warrants that the hardware products it manufactures will be free from defects in materials and workmanship. The warranty term is three years beginning on the date of invoice, as described in the following text.

Damage due to shipping the products to you is covered under this limited warranty. Otherwise, this limited warranty does not cover damage due to external causes, including accident, abuse, misuse, problems with electrical power, servicing not authorized by Dell, usage not in accordance with product instructions, failure to perform required preventive maintenance, and problems caused by use of parts and components not supplied by Dell.

This limited warranty does not cover any items that are in one or more of the following categories: software; external devices (except as specifically noted); accessories or parts added to a Dell system after the system is shipped from Dell; accessories or parts added to a Dell system through Dell's system integration department; accessories or parts that are not installed in the Dell factory; or Dell Software and Peripherals products. Monitors, keyboards, and mice that are Dell-branded or that are included on Dell's standard price list are covered under this limited warranty; all other monitors, keyboards, and mice (including those sold through the Dell Software and Peripherals program) are not covered. Batteries for portable computers are covered only during the initial one-year period of this limited warranty.

Limited Warranty Coverage During Year One

During the one-year period beginning on the invoice date, Dell will repair or replace products covered under this limited warranty that are returned to Dell's facility. To request warranty service, you must contact Dell's Customer Technical Support within the warranty period. To request warranty service, you must contact Dell's Customer Technical Support within the warranty period. See "Contacting Dell" in the documentation that came with your computer to find the appropriate contact information for obtaining customer assistance. If warranty service is required, Dell will issue a Return Material Authorization Number. You must ship the products back to Dell in their original or equivalent packaging, prepay shipping charges, and insure the shipment or accept the risk of loss or damage during shipment. Dell will ship the repaired or replacement products to you freight prepaid if you use an address in Canada, where applicable. Shipments to other locations will be made freight collect.

NOTE: Before you ship the product(s) to Dell, back up the data on the hard drive(s) and any other storage device(s) in the product(s). Remove any removable media, such as floppy disks, CDs, or PC Cards. Dell does not accept liability for lost data or software.

Dell owns all parts removed from repaired products. Dell uses new and reconditioned parts made by various manufacturers in performing warranty repairs and building replacement products. If Dell repairs or replaces a product, its warranty term is not extended.

Limited Warranty Coverage During Years Two and Three

During the second and third years of this limited warranty, Dell will provide, on an exchange basis and subject to Dell's Exchange Policy in effect on the date of the exchange, replacement parts for the Dell hardware product(s) covered under this limited warranty when a part requires replacement. You must report each instance of hardware failure to Dell's Customer Technical Support in advance to obtain Dell's concurrence that a part should be replaced and to have Dell ship the replacement part. Dell will ship parts (freight prepaid) if you use an address in Canada, where applicable. Shipments to other locations will be made freight collect. Dell will include a prepaid shipping container with each replacement part for your use in returning the replaced part to Dell. Replacement parts are new or reconditioned. Dell may provide replacement parts made by various manufacturers when supplying parts to you. The warranty term for a replacement part is the remainder of the limited warranty term.

You will pay Dell for replacement parts if the replaced part is not returned to Dell. The process for returning replaced parts, and your obligation to pay for replacement parts if you do not return the replaced parts to Dell, will be in accordance with Dell's Exchange Policy in effect on the date of the exchange.

You accept full responsibility for your software and data. Dell is not required to advise or remind you of appropriate backup and other procedures.

General Provisions

DELL MAKES NO EXPRESS WARRANTIES OR CONDITIONS BEYOND THOSE STATED IN THIS LIMITED WARRANTY STATEMENT. DELL DISCLAIMS ALL OTHER WARRANTIES AND CONDITIONS, EXPRESS OR IMPLIED, INCLUDING WITHOUT LIMITATION IMPLIED WARRANTIES AND CONDITIONS OF MERCHANTABILITY AND FITNESS FOR A PARTICULAR PURPOSE. SOME STATES (OR JURISDICTIONS) DO NOT ALLOW LIMITATIONS ON IMPLIED WARRANTIES OR CONDITIONS, SO THIS LIMITATION MAY NOT APPLY TO YOU.

DELL'S RESPONSIBILITY FOR MALFUNCTIONS AND DEFECTS IN HARDWARE IS LIMITED TO REPAIR AND REPLACEMENT AS SET FORTH IN THIS LIMITED WARRANTY STATEMENT. THESE WARRANTIES GIVE YOU SPECIFIC LEGAL RIGHTS, AND YOU MAY ALSO HAVE OTHER RIGHTS, WHICH VARY FROM STATE TO STATE (OR JURISDICTION TO JURISDICTION).

DELL DOES NOT ACCEPT LIABILITY BEYOND THE REMEDIES SET FORTH IN THIS LIMITED WARRANTY STATEMENT OR LIABILITY FOR INCIDENTAL, INDIRECT, SPECIAL, PUNITIVE, OR CONSEQUENTIAL DAMAGES, INCLUDING WITHOUT LIMITATION ANY LIABILITY FOR PRODUCTS NOT BEING AVAILABLE FOR USE OR FOR LOST DATA OR SOFTWARE.

SOME STATES (OR JURISDICTIONS) DO NOT ALLOW THE EXCLUSION OR LIMITATION OF INCIDENTAL, INDIRECT, SPECIAL, PUNITIVE, OR CONSEQUENTIAL DAMAGES, SO THE PRECEDING EXCLUSION OR LIMITATION MAY NOT APPLY TO YOU.

These provisions apply to Dell's three-year limited warranty only. For provisions of any service contract covering your system, see your invoice or the separate service contract that you will receive.

If Dell elects to exchange a system or component, the exchange will be made in accordance with Dell's Exchange Policy in effect on the date of the exchange. In any instance in which Dell issues a Return Material Authorization Number, Dell must receive the product(s) for repair prior to the expiration of the warranty period in order for the repair(s) to be covered by the limited warranty.

"Total Satisfaction" Return Policy (U.S. Only)

If you are an end-user customer who bought new products directly from a Dell company, you may return them to Dell within 30 days of the date of invoice for a refund or credit of the product purchase price. If you are an end-user customer who bought reconditioned or refurbished products from a Dell company, you may return them to Dell within 14 days of the date of invoice for a refund or credit of the product purchase price. In either case, the refund or credit will not include any shipping and handling charges shown on your invoice. If you are an organization that bought the products under a written agreement with Dell, the agreement may contain different terms for the return of products than specified by this policy.

To return products, you must contact Dell Customer Service to receive a Credit Return Authorization Number. See “Contacting Dell” in the documentation that came with your computer to find the appropriate contact information for obtaining customer assistance. To expedite the processing of your refund or credit, Dell expects you to return the products to Dell in their original packaging within five days of the date that Dell issues the Credit Return Authorization Number. You must also prepay shipping charges and insure the shipment or accept the risk of loss or damage during shipment. You may return software for refund or credit only if the sealed package containing the floppy disk(s) or CD(s) is unopened. Returned products must be in as-new condition, and all of the manuals, floppy disk(s), CD(s), power cables, and other items included with a product must be returned with it. For customers who want to return, for refund or credit only, either applications software or an operating system that has been installed by Dell, the whole system must be returned, along with any media and documentation that may have been included in the original shipment.

This "Total Satisfaction" Return Policy does not apply to Dell Software and Peripherals products, which may be returned under Dell Software and Peripherals's then-current return policy. The "Total Satisfaction" Return Policy also does not apply to Dell | EMC storage products.

One-Year End-User Manufacturer Guarantee (Latin America and the Caribbean Only)

Guarantee

Dell Computer Corporation ("Dell") warrants to the end user in accordance with the following provisions that its branded hardware products, purchased by the end user from a Dell company or an authorized Dell distributor in Latin America or the Caribbean, will be free from defects in materials, workmanship, and design affecting normal use, for a period of one year from the original purchase date. Products for which proper claims are made will, at Dell's option, be repaired or replaced at Dell's expense. Dell owns all parts removed from repaired products. Dell uses new and reconditioned parts made by various manufacturers in performing repairs and building replacement products.

Exclusions

This Guarantee does not apply to defects resulting from: improper or inadequate installation, use, or maintenance; actions or modifications by unauthorized third parties or the end user; accidental or willful damage; or normal wear and tear.

Making a Claim

Claims must be made in Latin America or the Caribbean by contacting the Dell point of sale within the guarantee period. The end user must always supply proof of purchase, indicating name and address of the seller, date of purchase, model and serial number, name and address of the customer, and details of symptoms and configuration at the time of malfunction, including peripherals and software used. Otherwise, Dell may refuse the guarantee claim. Upon diagnosis of a warranted defect, Dell will make arrangements and pay for ground freight and insurance to and from Dell's repair/replacement center. The end user must ensure that the defective product is available for collection properly packed in original or equally protective packaging together with the details listed above and the return number provided to the end user by Dell.

Limitation and Statutory Rights

Dell makes no other warranty, guarantee or like statement other than as explicitly stated above, and this Guarantee is given in place of all other guarantees whatsoever, to the fullest extent permitted by law. In the absence of applicable legislation, this Guarantee will be the end user's sole and exclusive remedy against Dell or any of its affiliates, and neither Dell nor any of its affiliates shall be liable for loss of profit or contracts, or any other indirect or consequential loss arising from negligence, breach of contract, or howsoever.

This Guarantee does not impair or affect mandatory statutory rights of the end user against and/or any rights resulting from other contracts concluded by the end user with Dell and/or any other seller.

Dell World Trade LP

One Dell Way, Round Rock, TX 78682, USA

Dell Computadores do Brasil Ltda (CNPJ No. 72.381.189/0001-10)/

Dell Commercial do Brasil Ltda (CNPJ No. 03 405 822/0001-40)

Avenida Industrial Belgraf, 400

92990-000 - Eldorado do Sul – RS - Brasil

Dell Computer de Chile Ltda

Coyancura 2283, Piso 3- Of.302,

Providencia, Santiago - Chile

Dell Computer de Colombia Corporation

Carrera 7 #115-33 Oficina 603

Bogota, Colombia

Dell Computer de Mexico SA de CV

Paseo de la Reforma 2620 - 11° Piso

Col. Lomas Altas

11950 México, D.F.

Dell™ Inspiron™

高级端口复制器用户指南



提示、注意与警告



提示：提示表示有助于您更好地使用计算机的重要信息。



注意：注意表示可能会损坏硬件或导致数据丢失，并告诉您如何避免此类问题。



警告：警告表示潜在的危險，如果不消除这些危險，可能会导致财产损失、人身伤害或死亡。

缩略语和缩写词

有关缩略语和缩写词的完整列表，请参阅《如何使用》帮助文件。

在 Microsoft® Windows® XP 中

- 1 单击“Start”（开始）按钮，然后单击“Help and Support”（帮助和支持）。
- 2 单击“User and system guides”（用户与系统指南），然后单击“User's Guides”（用户指南）。
- 3 单击“Tell Me How”（如何使用）。

在 Windows 2000 中单击 Windows 桌面上的“Start”（开始）按钮，指向“Programs”（程序）—>“User's Guides”（用户指南），然后单击“Tell Me How”（如何使用）。

本文件中的信息如有更改，恕不另行通知。

© 1999–2002 Dell Computer Corporation。版权所有，翻印必究。

未经 Dell Computer Corporation 书面许可，不准以任何形式进行复制。

本文件中使用的商标：Dell、DELL 徽标和 Inspiron 是 Dell Computer Corporation 的商标；Microsoft 和 Windows 是 Microsoft Corporation 的注册商标；3Com 是 3Com Corporation 的注册商标。Intel、Celeron 和 Pentium 是 Intel Corporation 的注册商标；EMC 是 EMC Corporation 的注册商标。

本文件中提及的其它商标和产品名称是指拥有相应商标和产品名称的公司或其制造的产品。Dell Computer Corporation 对其它公司的商标和产品名称不拥有任何专利权。

目录

警告：安全说明	53
一般信息.....	53
电源.....	54
简介	55
初次对接之前	55
对接计算机	55
断开对接计算机	56
APR I/O 连接器	58
APR 控制按钮和指示灯	59
将外部设备连接至 APR	60
可选显示器支架	60
技术规格	61
管制通告	62
FCC 通告（仅限于美国）.....	63
IC 通告（仅限于加拿大）.....	65
CE 通告（欧盟）.....	65
CE 标记通告	66
简体中文 A 级警示通告（仅限于中国）.....	66
符合 EN 55022 标准（仅限于捷克共和国）.....	67
VCCI 通告（仅限于日本）.....	67
NOM 信息（仅限于墨西哥）.....	69

有限保修与退回规定	69
一年有限保修（仅限于美国）	70
两年有限保修（仅限于美国）	71
三年有限保修（仅限于美国）	73
四年有限保修（仅限于美国）	75
一年有限保修（仅限于加拿大）	77
两年有限保修（仅限于加拿大）	79
三年有限保修（仅限于加拿大）	81
“完全满意”退回规定（仅限于美国）	84
一年最终用户制造商保证 （仅限于拉丁美洲和加勒比海地区）	85

警告：安全说明

遵循以下安全原则可以确保您的人身安全，并且有助于避免计算机和工作环境出现损坏的危险。

一般信息

- 如果您不是合格的维修技术人员，请勿尝试自行维修高级端口复制器 (APR)。始终严格按照安装说明进行。
- 如果您使用延长电缆连接交流适配器，请确保延长电缆连接的所有产品的额定电流总和不超过延长电缆的额定电流。
- 不要将物体塞入计算机的通风孔或开口处。如果塞入物体，可能会导致内部组件短路而引起火灾或电击。
- 不要将已打开的 APR 存储在通风不良的环境中，例如手提箱或密封的公文包中。通风不畅会损坏计算机或导致起火。
- 将 APR 置于远离暖气片和有热源的地方。另外，切勿堵塞通风孔。不要将纸张垫在计算机下，也不要将计算机紧靠墙壁或放置在床、沙发或地毯上。
- 使用交流适配器运行计算机或为电池充电时，请将交流适配器放在通风的地方，例如桌面或地板上。不要将纸张或其它物品置于交流适配器上面，因为它们会降低适配器的冷却速度；另外，也不要手提箱中使用交流适配器。
- 在计算机正常操作期间，交流适配器可能会变得很热。在操作期间或刚执行操作之后，请小心处理该适配器。
- 不要在潮湿的环境中使用 APR，例如浴缸、水池、游泳池旁边或潮湿的地下室内。
- 为避免潜在的电击危险，切勿在雷电期间连接或断开任何电缆，也不要维修或重新配置此产品。在雷雨期间，请勿使用 APR。
- 清洁 APR 之前，请先断开 APR 与电源插座的连接。使用蘸水的软布擦拭 APR。切勿使用液体或喷雾清洁剂，因为其中可能含有易燃物质。

警告：安全说明（续）

电源

- 仅可使用 Dell 提供并经认证可用于此 APR 的交流适配器。使用其它类型的交流适配器可能会导致起火或爆炸。
- 将 APR 连接至电源插座之前，请检查交流适配器的额定电压，确保所需的电压和频率与提供的电源相匹配。
- 要完全断开 APR 的电源连接，请关闭计算机，断开计算机对接，然后从 APR 背面断开交流适配器电缆的连接。
- 为避免遭受电击，请将交流适配器和外围设备的电源电缆插入正确接地的电源。这些电源电缆配有三脚插头，可以确保正确接地。不要使用转接插头，也不要拔下电源电缆插头的接地插脚。如果使用延长电缆，请使用适当类型的二线或三线电缆，以正确连接交流适配器电源电缆。
- 不要在交流适配器的电源电缆上放置任何物品，并将电缆置于不会被踩踏或踢到的地方。
- 如果您使用的配电盘配有多个插座，则在将交流适配器的电源电缆插入配电盘时，应小心谨慎。某些配电盘可能会允许您错误地插入电源插头。错误地插入电源插头可能会对计算机造成永久性的损坏，同时还可能会导致电击和（或）起火。请确保将电源插头的接地插脚正确插入配电盘的相应接地触点。

简介

高级端口复制器 (APR) 可以快速简便地将 Dell™ 计算机与桌面环境融为一体。请按照本说明文件中的说明，将计算机连接或对接至 APR 并连接外部设备。

初次对接之前


第一次将计算机连接至 APR 之前，您必须完成操作系统的安装过程。要验证是否已完成操作系统的安装过程，请执行以下步骤：

- 1 确保计算机未对接至 APR。
- 2 打开计算机。
- 3 验证计算机是否已完成操作系统的安装过程并且显示 Microsoft® Windows® 桌面。
- 4 如果您的 APR 附带了 BIOS 升级 CD，则在将计算机连接至 APR 之前，应先升级计算机上的 BIOS。
有关说明，请参阅随 BIOS 升级磁盘附带的说明文件。
- 5 关闭计算机。

现在，您可以按照下一节“对接计算机”中的说明将计算机连接至 APR。

对接计算机

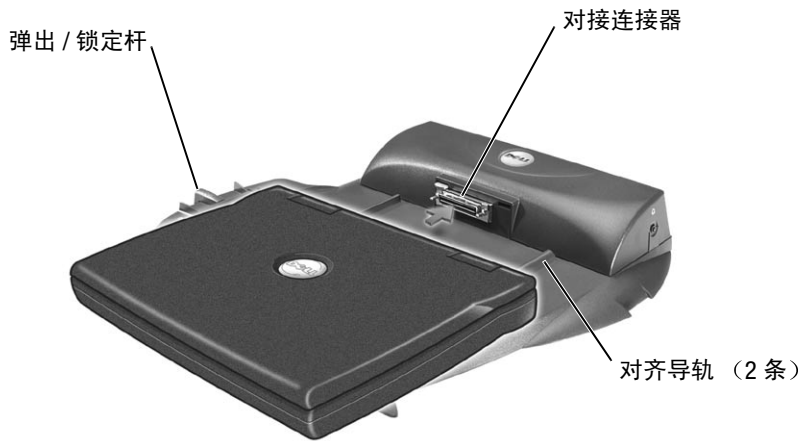
对接计算机并打开计算机电源之前，您必须将交流适配器连接至 APR。交流适配器可以同时为 APR 和计算机供电。使用 APR 时，会对安装在计算机中的电池进行充电。

 **注意：**请务必使用随 APR 附带的 Dell 交流适配器。（交流适配器底部的型号应为 PA-6 或 PA-9。）如果您使用其它品牌的交流适配器或 Dell 旧机型的交流适配器，则可能会损坏 APR 或计算机。

- 1 完成上一节“初次对接之前”中的步骤。
- 2 保存并关闭所有打开的文件，退出任何打开的程序，然后关闭计算机。

提示：第一次对接之前，请不要连接除显示器、键盘或鼠标之外的外部设备。

- 3 将交流适配器连接至 APR 上的连接器，并将其交流电缆插入电源插座（如果尚未执行此步骤）。
- 4 水平放置计算机并对准 APR 平台的中央，同时使计算机的背面朝向 APR 的对接连接器，如图所示。



提示：如果您已安装可选的显示器支架（请参阅第 60 页），则无法看见对齐导轨或对接连接器。

- 5 将计算机滑向连接器，直到您感觉计算机底部的凹槽与对齐导轨吻合。
- 注意：**如果在没有与对齐导轨吻合的情况下直接将计算机推入 APR，则可能会对计算机上的对接连接器造成无法修复的损坏。
- 6 轻轻向前推动计算机，直至对接连接器完全吻合。

断开对接计算机

- 注意：**如果其中没有安装已充电的电池，则计算机在从 APR 上断开时会关闭，并且会丢失所有未保存的数据。
- 1 保存并关闭所有打开的文件，退出任何打开的程序，然后关闭计算机。
- 注意：**如果计算机尚未准备就绪，请不要断开计算机与 APR 的对接。以下三种方法可以使操作系统、网络 and 存储设备在断开对接之前完成数据传输。如果在未完成传输的情况下断开对接计算机，数据将会丢失，并且需要数分钟才能使计算机恢复正常操作。

2 要准备断开对接计算机，请执行以下任何一个过程：

- 在计算机键盘上按 <Fn><Esc> 组合键（或者在外部键盘上按 <Scroll Lock><Esc> 组合键）。

几秒钟后，计算机上的电源指示灯将会熄灭。

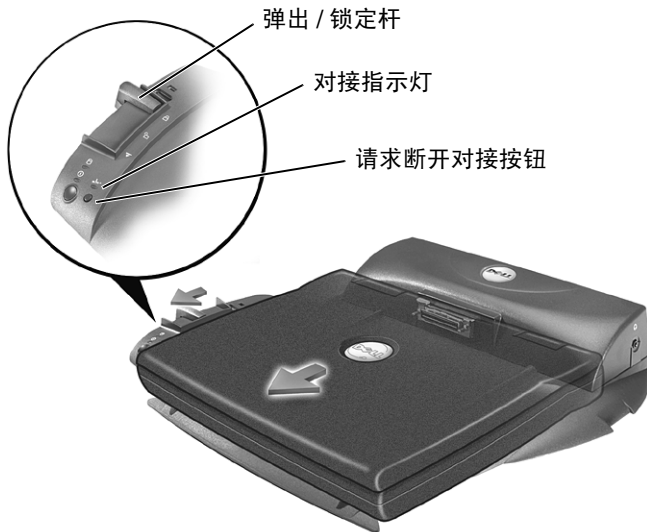
- 如果您使用 Windows 98、Windows Millennium Edition (Me) 或 Windows 2000，请单击 **“Start”**（开始）按钮，然后单击 **“Eject PC”**（弹出 PC）。如果您使用 Windows XP，请单击 **“Start”**（开始）按钮，然后单击 **“Undock Computer”**（断开对接计算机）。

几秒钟后，计算机上的电源指示灯将会熄灭。

- 按下 APR 上的请求断开对接按钮（参见第 59 页）。

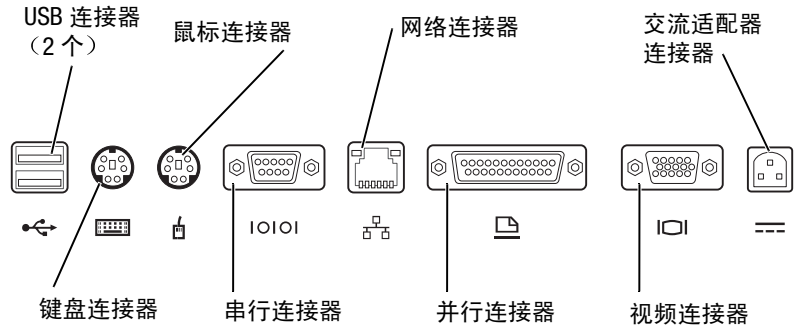
绿色对接指示灯将会熄灭。

3 将 APR 左侧的弹出 / 锁定杆滑至弹出位置，断开对接计算机。



APR I/O 连接器

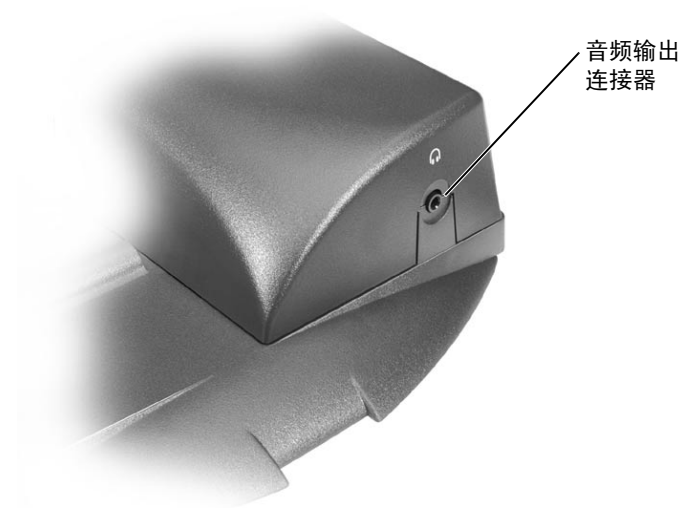
APR 背面和侧面上的 I/O 连接器与计算机背面和侧面上的主要连接器相同。



下表列出了 APR 背面的每个连接器的图标，并说明了每个连接器可以连接的外部设备类型。

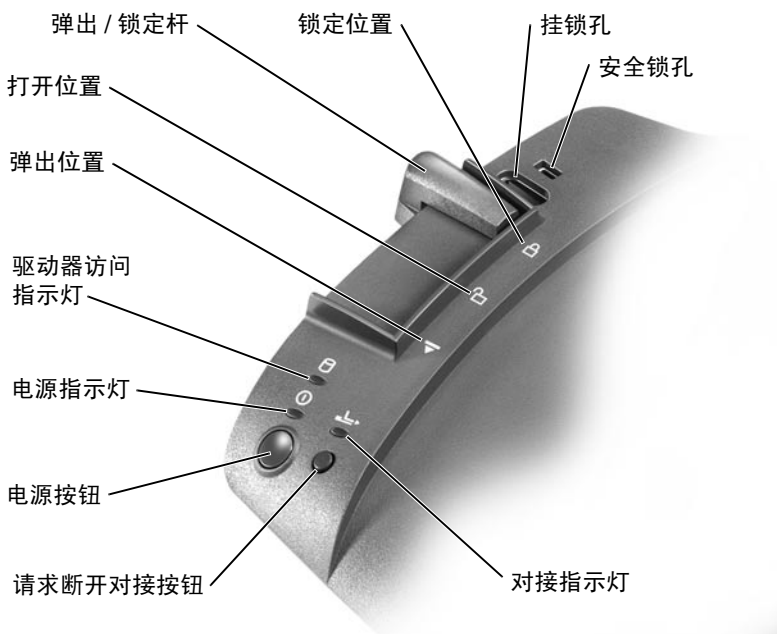
连接器图标	连接器说明
	连接一个或两个 USB 设备，例如 USB 鼠标。
	连接 PS/2 型键盘或数字小键盘。
	连接 PS/2 兼容鼠标。
IOIOI	连接串行设备，例如串行鼠标或数码相机。
	连接网络接口电缆。
	连接并行设备，例如打印机。
	连接外部显示器。
	连接交流适配器。

音频输出连接器位于 APR 的侧面。



APR 控制按钮和指示灯

下图显示了 APR 上的控制按钮和指示灯。



提示： 如果外部设备的电缆连接器上带有指旋螺钉，请务必拧紧螺钉以确保正确连接。

提示： 确保显示器支架的后支脚卡入对接控制台两侧的插槽。

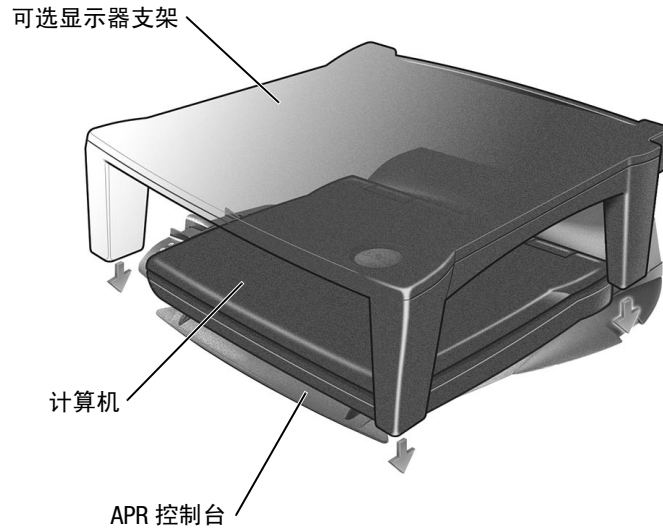
将外部设备连接至 APR

要将外部设备连接至 APR，请执行以下步骤：

- 1 将设备电缆连接至 APR 背面的相应连接器。
- 2 将外部设备连接至电源插座（如果可用）。

可选显示器支架

注意： 该支架可以支撑重达 45.3 千克（100 磅）的显示器。超过此重量的显示器可能会损坏支架、计算机和 APR。



技术规格

物理规格

高度:

带显示器支架时	10.2 厘米 (4.0 英寸)
无显示器支架时	5.8 厘米 (2.3 英寸)

厚度:

带显示器支架时	39.0 厘米 (15.4 英寸)
无显示器支架时	35.8 厘米 (14.1 英寸)

宽度:

带显示器支架时	37.5 厘米 (14.8 英寸)
无显示器支架时	40.9 厘米 (16.1 英寸)

重量:

带显示器支架时	3.0 千克 (6.5 磅)
无显示器支架时	1.6 千克 (3.5 磅)

I/O 连接器

串行 (DTE)	9 针连接器
并行	25 孔连接器
PS/2 型键盘 / 数字小键盘	6 孔 PS/2 键盘连接器
PS/2 兼容型鼠标	6 孔 PS/2 鼠标连接器
视频	15 孔连接器
音频	扬声器输出 (用于耳机选件)
USB (两个)	两个 4 针连接器
DC-IN	一个连接器
对接连接器	240 针连接器
网络适配器	RJ-45 连接器

以太网控制器

芯片集	3Com® 3C920; 10/100 BASE-TX (PC99 兼容)
数据总线宽度	32 位 PCI 主机总线接口
IRQ	IRQ10

电源

电压	要求交流适配器提供 20 VDC
电流	3.5–4.5A

管制通告

电磁干扰 (EMI) 是一种信号或辐射，它散布在空中或通过电源线或信号线传送，这样会对无线电导航或其它安全服务设施的正常工作造成危害，并且严重地干扰、阻碍或重复中断经许可的无线电通信服务。无线电通信服务包括但不限于 AM/FM 商业电台、电视、蜂窝式无线电通信、雷达、空中交通管制、寻呼机和个人通信服务 (PCS)。这些经许可的服务与无意放射体（例如包括计算机在内的数字设备）一起形成了电磁环境。

电磁兼容性 (EMC) 指各种电子设备在电子环境中共同工作的能力。本计算机的设计符合管制机构关于 EMI 的限制，但是不能保证在特定的安装环境中绝对不产生干扰。如果此设备确实对无线电通信服务造成了干扰，并且可以通过关闭和打开设备确定此干扰，请尝试以下一种或多种方法排除干扰：

- 重新调整接收天线的方向。
- 根据接收器的位置重新放置计算机。
- 将计算机移至远离接收器的位置。
- 将计算机连接至不同的电源插座，使计算机与接收器占用不同的分支电路。

如果有必要，请咨询 Dell 技术支持代表或有经验的无线电 / 电视技术人员，获得其它有益建议。

Dell 计算机经设计、检测和分类，适用于相应的电磁环境。这些电磁环境分类通常是指以下标准定义：

- A 级通常适用于商业或工业环境。
- B 级通常适用于居住环境。

计算机集成的或连接的信息技术设备 (ITE)，包括设备、扩充卡、打印机、输入 / 输出 (I/O) 设备、显示器等，必须与计算机的电磁环境分类相匹配。

关于屏蔽信号电缆的注意事项：请仅用屏蔽电缆将设备连接至任何 Dell 设备，以减少对无线电通信服务造成干扰的可能性。使用屏蔽电缆可以确保在特定的环境中维持相应的 EMC 分类。Dell 提供并行打印机电缆。如果您愿意，可以通过 Dell WWW 站点 accessories.us.dell.com/sna/category.asp?category_id=4117 向 Dell 订购电缆。

按其分类，大多数 Dell 计算机适用于 B 级环境。但是，计算机在安装某些选件后可能会使一些配置更改为 A 级。要确定您的计算机或设备属于何种电磁分类，请参阅每个管制机构专用的以下各节。每一节均提供了某个国家（或地区）特定的 EMC/EMI 信息或产品安全信息。

FCC 通告（仅限于美国）

大多数 Dell 计算机均由联邦通信委员会 (FCC) 划分为 B 级数字设备。要确定您的计算机属于何种分类，请查看计算机底部或背面板、插卡固定支架或插卡上面的所有 FCC 注册标签。如果其中任何一个标签指定为 A 级，则整个计算机属于 A 级数字设备。如果所有标签均标有 B 级 FCC 标识号或 FCC 徽标 (FC)，则计算机被视为 B 级数字设备。

一旦确定了计算机的 FCC 等级，请阅读相应的 FCC 通告。请注意：FCC 规定，凡是未经 Dell 明确许可而进行的变更或修改，均可能导致您失去操作此设备的权利。

此设备符合 FCC 规则第 15 部分中的规定。其操作必须符合以下两个条件：

- 此设备不会产生有害干扰。
- 此设备必须可以承受任何接收到的干扰，包括可能导致不正常操作的干扰。

A 级

此设备经检测，符合 FCC 规则第 15 部分中关于 A 级数字设备的限制规定。这些限制的目的在于商业环境中使用此设备时，可以提供合理的保护以防止有害干扰。此设备可以产生、使用和辐射射频能量，如果不遵照制造商的使用手册安装和使用此设备，可能会对无线电通信造成有害干扰。在居住区使用此设备可能会导致有害干扰，在此情况下，您必须自费排除这些干扰。

B 级

此设备经检测，符合 FCC 规则第 15 部分中关于 B 级数字设备的限制规定。这些限制的目的在于居住区中安装此设备时，可以提供合理的保护以防止有害干扰。此设备可以产生、使用和辐射射频能量，如果不遵照制造商的使用手册安装和使用此设备，可能会对无线电通信造成干扰。但是，这并不能保证在某些特定的安装环境中绝对不会产生干扰。如果此设备确实对无线电或电视接收造成了有害干扰，并且可以通过关闭和打开设备确定此干扰，请尝试以下一种或多种方法排除干扰：

- 重新调整接收天线的方向或位置。
- 增大设备与接收器之间的距离。
- 将设备和接收器连接至不同的电路。
- 向经销商或有经验的无线电 / 电视技术人员咨询，获取有益帮助。

本设备或者本文件中提及的符合 FCC 管制规定的设备上均具有以下信息：

- Model number: PRX
- Company name:

Dell Computer Corporation
One Dell Way
Round Rock, Texas 78682 USA
(512) 338-4400


IC 通告（仅限于加拿大）

大多数 Dell 计算机（以及其它 Dell 数字设备）均由加拿大工业部（IC）干扰成因设备标准 #3（ICES-003）划分为 B 级数字设备。要确定计算机（或其它 Dell 数字设备）适用的分类（A 级或 B 级），请检查计算机（或其它数字设备）底部或背面板上的所有注册标签。其中一个标签上会标有“IC Class A ICES-003”或“IC Class B ICES-003”。请注意：加拿大工业部条例规定，凡是未经 Dell 明确许可而进行的变更或修改，均可能导致您失去操作此设备的权利。

此 B 级（或 A 级，如果注册标签已指明）数字设备符合加拿大干扰成因设备管制条例的要求。

Cet appareil numérique de la Classe B (ou Classe A, si ainsi indiqué sur l'étiquette d'enregistrement) respecte toutes les exigences du Règlement sur le Matériel Brouilleur du Canada.

CE 通告（欧盟）

标有  徽标表示此 Dell 计算机符合欧盟的 EMC 规定和低电压规定。此标记表示 Dell 系统符合以下技术标准：

- EN 55022 — “信息技术设备 - 无线电干扰特性 - 限制与测量方法”。
- EN 55024 — “信息技术设备 - 豁免特性 - 限制与测量方法”。
- EN 61000-3-2 — “电磁兼容性 (EMC) - 第 3 部分：限制 - 第 2 节：调和电流辐射限制（设备输入电流小于或等于 16 安培 / 相）”。
- EN 61000-3-3 — “电磁兼容性 (EMC) - 第 3 部分：限制 - 第 3 节：低电压供电系统的电压波动和闪变限制（适于额定电流小于或等于 16 安培的设备）”。
- EN 60950 — “信息技术设备安全性”。

注：两种分类对应的 EN 55022 辐射要求：

- A 级用于一般商业区域。
- B 级用于一般居住区域。

按其分类，本 Dell 设备适用于一般 B 级居住环境。

根据上述规定和标准制订的“一致性声明”在 Dell Computer Corporation Products Europe BV, Limerick, Ireland 备有档案。

CE 标记通告

本设备符合欧盟 1999/5/EC 规定的基本要求。

Cet équipement est conforme aux principales caractéristiques définies dans la Directive européenne RTTE 1999/5/CE.

Die Geräte erfüllen die grundlegenden Anforderungen der RTTE-Richtlinie (1999/5/EG).

Questa apparecchiatura è conforme ai requisiti essenziali della Direttiva Europea R&TTE 1999/5/CE.

Este equipo cumple los requisitos principales de la Directiva 1999/5/CE de la UE, "Equipos de Terminales de Radio y Telecomunicaciones".

Este equipamento cumpre os requisitos essenciais da Directiva 1999/5/CE do Parlamento Europeu e do Conselho (Directiva RTT).

Ο εξοπλισμός αυτός πληροί τις βασικές απαιτήσεις της κοινοτικής οδηγίας EU R&TTE 1999/5/EK.

Deze apparatuur voldoet aan de noodzakelijke vereisten van EU-richtlijn betreffende radioapparatuur en telecommunicatie-eindapparatuur 1999/5/EG.

Dette udstyr opfylder de Væsentlige krav i EU's direktiv 1999/5/EC om Radio- og teleterminaludstyr.

Dette utstyret er i overensstemmelse med hovedkravene i R&TTE-direktivet (1999/5/EC) fra EU.

Utrustningen uppfyller kraven för EU-direktivet 1999/5/EC om ansluten teleutrustning och ömsesidigt erkännande av utrustningens överensstämmelse (R&TTE).

Tämä laite vastaa EU:n radio- ja telepäätelaitedirektiivin (EU R&TTE Directive 1999/5/EC) vaatimuksia.

简体中文 A 级警示通告（仅限于中国）

在 A 级系统中，靠近管制标签的位置将附带以下警告：

严重警告：本产品为 A 级产品。在居住环境中，本产品可能会产生无线电干扰；在这种情况下，您可能需要采取适当的措施来消除干扰。

声明

此为 A 级产品，在生活环境中，该产品可能会造成无线电干扰。在这种情况下，可能需要用户对其干扰采取切实可行的措施。

符合 EN 55022 标准（仅限于捷克共和国）

本设备属于 EN 55022 中所述的 B 级设备，除非规格标签特别声明它属于 A 级设备。以下内容适用于 EN 55022 的 A 级设备（保护半径可达 30 米）。此设备的用户有责任采取所有必要的措施，消除此设备对电信或其它设备造成的干扰。

Pokud není na typovém štítku počítače uvedeno, že spadá do třídy A podle EN 55022, spadá automaticky do třídy B podle EN 55022. Pro zařízení zařazená do třídy A (ochranné pásmo 30m) podle EN 55022 platí následující. Dojde-li k rušení telekomunikačních nebo jiných zařízení, je uživatel povinen provést taková opatření, aby rušení odstranil.

VCCI 通告（仅限于日本）

大多数 Dell 计算机均由干扰自愿控制委员会 (VCCI) 划分为 B 级信息技术设备 (ITE)。但是，计算机在安装某些选件后可能会使某些配置更改为 A 级。计算机集成的或连接的 ITE，包括设备、扩充卡、打印机、输入 / 输出 (I/O) 设备和显示器等，必须与计算机的电磁环境分类（A 或 B 级）相匹配。

要确定计算机属于何种分类，请检查计算机底部或背面板上的管制标签/标记（参见“VCCI A 级 ITE 管制标记”和“VCCI B 级 ITE 管制标记”）。确定计算机的 VCCI 分类后，请参阅相应的 VCCI 通告。

A 级 ITE

この装置は、情報処理装置等電波障害自主規制協議会 (VCCI) の基準に基づくクラス A 情報技術装置です。この装置を家庭環境で使用すると電波妨害を引き起こすことがあります。この場合には使用者が適切な対策を講ずるよう要求されることがあります。

此 A 级产品符合干扰自愿控制委员会 (VCCI) 针对信息技术设备制订的干扰标准。如果在居住环境中使用本设备，可能会产生射频干扰。出现这种情况时，可能需要用户采取适当的措施。

VCCI A 级 ITE 管制标记

如果管制标签上附带以下标记，则计算机属于 A 级产品：

VCCI

B 级 ITE

この装置は、情報処理装置等電波障害自主規制協議会 (VCCI) の基準に基づくクラス B 情報技術装置です。この装置は家庭環境で使用することを目的としていますが、ラジオやテレビジョン受信機に近接して使用されると、受信障害を引き起こすことがあります。取扱説明書に従って正しい取り扱いをしてください。

此 B 级产品符合干扰自愿控制委员会 (VCCI) 针对信息技术设备制订的干扰标准。如果在居住环境中的无线电或电视接收器附近使用本设备，可能会产生射频干扰。请按照说明手册安装和使用本设备。

VCCI B 级 ITE 管制标记

如果管制标签上附带以下标记，则计算机属于 B 级产品：



NOM 信息（仅限于墨西哥）

以下信息适用于本文件中所述的符合墨西哥官方标准要求 (NOM) 的设备：

Exporter:	Dell Computer Corporation One Dell Way Round Rock, TX 78682
Importer:	Dell Computer de México, S.A. de C.V. Paseo de la Reforma 2620 - 11° Piso Col. Lomas Altas 11950 México, D.F.
Ship to:	Dell Computer de México, S.A. de C.V. al Cuidado de Kuehne & Nagel de México S. de R.l. Avenida Soles No. 55 Col. Peñon de los Baños 15520 México, D.F.
Model number:	PRX
Supply voltage:	100–240 VAC
Frequency:	50–60 Hz
Current Consumption:	1.5 A
Output voltage:	20 VDC
Output current:	3.5–4.5 A

有限保修与退回规定

在美国或加拿大购买的 Dell 硬件产品均附带一年、两年、三年或四年（仅限于美国）的有限保修。要确定您购买了何种保修，请查看随计算机附带的 Dell 发票。以下小节对这些有限保修进行了说明，并介绍了适用于拉丁美洲和加勒比海地区的制造商保证以及适用于美国的退回规定。

一年有限保修（仅限于美国）

Dell Computer Corporation（“Dell”）使用符合工业标准规范的全新或相当于全新的零件和组件制造其硬件产品。Dell 保证其生产的硬件产品不存在材料和工艺上的缺陷。从购物发票之日起，有限保修期为一年，如下文所述。

产品在交付给您时，由于运送而导致的损坏也在有限保修范围之内。但是，此有限保修并不包括由于外在原因而导致的损坏，包括意外事故、滥用、误用、电源问题、未经 Dell 授权的维修、违反产品说明的用法、未执行必要的保护措施，以及由于使用非 Dell 提供的零件及组件所产生的问题等。

此有限保修不包括以下一个或多个类别中的任何项目：软件；外部设备（除非另有说明）；Dell 系统出厂之后添加的附件或零件；由 Dell 的系统集成部门添加至 Dell 系统的附件或零件；并非在 Dell 工厂中安装的附件或零件；或 Dell 软件和外围设备产品。Dell 品牌或 Dell 标准价格表上的显示器、键盘和鼠标也在有限保修范围之内；其它所有显示器、键盘和鼠标（包括通过“Dell 软件和外围设备”计划销售的此类产品）不在保修范围之内。

Dell 按照此有限保修规定对退回到 Dell 部门的产品进行修理或更换。要获得保修服务，您必须在有限保修期内与 Dell 客户技术支持部门联系。有关获取客户帮助所需的适当联络信息，请参阅随计算机附带的说明文件中的“联络 Dell”。如果需要保修服务，Dell 会发出一个退回材料授权号。您必须使用原来的或相似的包装将产品装好并寄回 Dell，并且必须预付运费和为运送投保，或者承担产品在运送期间丢失或损坏的风险。如果您使用的地址在美国本土，Dell 会以预付运费的方式将修理或更换后的产品运送给您。如果在其它地区，则以运费到付的方式运送。

注：运送产品到 Dell 之前，请备份硬盘驱动器和产品中的其它存储设备上的数据。卸下任何可移动介质，例如软盘、CD 或 PC 卡。Dell 对数据或软件的丢失概不负责。

所有从维修产品中取出的零件均归 Dell 所有。维修和更换产品时，Dell 可以使用由不同制造商生产的全新或修理过的零件。如果 Dell 修理或更换了产品，其保修期不会因此而延长。

本有限保修授予您特定的法律权益，您可能还可能获得其它权益，视您所在的州（或辖区）而有所不同。对于硬件故障和缺陷，Dell 的责任仅限于本有限保修声明所述的修理及更换。所有明示和暗示的产品保修，包括但不仅限于对可销售性或某一特定用途适用性的暗示保证和条件，均以上面所述的保修期为期限，此期限到期后，无论是明示还是暗示的保修均将失效。

某些州（或辖区）不允许限制暗示保证的持续时间，因此上述限制可能不适用于您。

Dell 不承担此有限保修声明之外的任何责任，也不会对偶然或间接损失负责，包括产品不能使用或数据、软件丢失之类的无限制责任等。

某些州（或辖区）不允许对偶然或间接损失进行排除或限制，因此上述排除或限制可能不适用于您。

这些条款仅适用于 Dell 的一年有限保修。有关系统的服务合同条款，请参阅您收到的发票或单独的服务合同。

如果 Dell 选择更换产品或产品部件，则更换将按照有效期内的 Dell 更换规定进行。无论 Dell 在何种情况下发出退回材料授权号，您均必须在保修期内将需要维修的产品运送至 Dell，才能获得有限保修范围内的维修。

两年有限保修（仅限于美国）

Dell Computer Corporation（“Dell”）使用符合工业标准规范的全新或相当于全新的零件和组件制造其硬件产品。Dell 保证其生产的硬件产品不存在材料和工艺上的缺陷。从购物发票之日起，有限保修期为两年，以下小节中对此作了进一步的介绍。

产品在交付给您时，由于运送而导致的损坏也在保修范围之内。但是，此有限保修并不包括由于外部原因而导致的损坏，包括意外事故、滥用、误用、电源问题、未经 Dell 授权的维修、违反产品说明的用法、未执行必要的保护措施，以及由于使用非 Dell 提供的零件及组件所产生的问题等。

此有限保修不包括以下一个或多个类别中的任何项目：软件；外部设备（除非另有说明）；Dell 系统出厂之后添加的附件或零件；由 Dell 的系统集成部门添加至 Dell 系统的附件或零件；并非在 Dell 工厂中安装的附件或零件；或 Dell 软件和外围设备产品。Dell 品牌或 Dell 标准价格表上的显示器、键盘和鼠标均在保修范围之内，其它所有显示器、键盘和鼠标（包括通过“Dell 软件和外围设备”计划销售的此类产品）不在保修范围之内。便携式计算机的电池仅在此有限保修期的第一年内可以享受此保修。

第一年内可享受的有限保修

自购物发票之日起一年内，Dell 将按照有限保修规定对退回到 Dell 工厂的产品进行修理或更换。要获得保修服务，您必须在保修期内与 Dell 客户技术支持部门联系。有关获取客户帮助所需的适当联络信息，请参阅随计算机附带的说明文件中的“联络 Dell”。如果需要保修服务，Dell 会发出一个退回材料授权号。您必须使用原来的或相似的包装将产品装好并寄回 Dell，并且必须预付运费并为运送投保，或者承担产品在运送期间丢失或损坏的风险。如果您使用的地址在美国本土，Dell 会以预付运费的方式将修理或更换后的产品运送给您。如果在其它地区，则以运费到付的方式运送。

注：运送产品到 Dell 之前，请备份硬盘驱动器和产品中的其它存储设备上的数据。卸下任何可移动介质，例如软盘、CD 或 PC 卡。Dell 对数据或软件的丢失概不负责。

所有从维修产品中取出的零件均归 Dell 所有。维修和更换产品时，Dell 可以使用由不同制造商生产的全新或修理过的零件。如果 Dell 修理或更换了产品，其保修期不会因此而延长。

第二年内可享受的有限保修

在有限保修的第二年，如果此有限保修范围内的零件需要更换，Dell 将在有效期内以交换的方式并根据 Dell 交换规定为 Dell 硬件产品提供更换零件。您必须事先向 Dell 客户技术支持部门报告每一次的硬件故障情况，以便 Dell 同意更换并运送零件。如果您使用的地址在美国本土，Dell 会以预付运费的方式将零件运送给您，如果在其它地区，则以运费到付的方式运送。Dell 为每个需要更换的零件提供一个已预付运费的容器，供您运送退回的零件。更换零件是新的或修理过的零件。Dell 提供的更换零件可能由不同的制造商生产。更换后零件的保修期为有限保修期剩余的时间。

如果您未将旧零件退回 Dell，则必须支付 Dell 更换零件所需的费用。对退回旧零件的处理以及未退回旧零件时所需支付的更换零件费用，将按照 Dell 交换规定从交换之日起开始执行。

您对自己的软件及数据负有全部责任。Dell 无义务建议或提醒您进行适当的备份以及采取其它措施。

一般规定

本有限保修授予您特定的法律权益，您可能还可能获得其它权益，视您所在的州（或辖区）而有所不同。对于硬件故障和缺陷，Dell 的责任仅限于本有限保修声明所述的修理及更换。所有明示和暗示的产品保修，包括但不限于对可销售性或某一特定用途适用性的暗示保证和条件，均以上面所述的保修期为期限，此期限到期后，无论是明示还是暗示的保修均将失效。某些州（或辖区）不允许限制暗示保证的持续时间，因此上述限制可能不适用于您。

Dell 不承担此有限保修声明之外的任何责任，也不会对偶然或间接损失负责，包括产品不能使用或数据、软件丢失之类的无限制责任等。某些州（或辖区）不允许对偶然或间接损坏进行排除或限制，因此上述排除或限制可能不适用于您。

这些条款仅适用于 Dell 的两年有限保修。有关系统的服务合同条款，请参阅您收到的发票或单独的服务合同。

如果 Dell 选择更换系统或组件，则相关的更换步骤和条款将按照 Dell 交换规定从交换之日起执行。无论 Dell 在何种情况下发出退回材料授权号，您均必须在保修期内将需要维修的产品运送至 Dell，才能获得有限保修范围内的维修。

三年有限保修（仅限于美国）

Dell Computer Corporation（“Dell”）使用符合工业标准规范的全新或相当于全新的零件和组件制造其硬件产品。Dell 保证其生产的硬件产品不存在材料和工艺上的缺陷。从购物发票之日起，有限保修期为三年，如下文所述。

产品在交付给您时，由于运送而导致的损坏也在有限保修范围之内。但是，此有限保修并不包括由于外在原因而导致的损坏，包括意外事故、滥用、误用、电源问题、未经 Dell 授权的维修、违反产品说明的用法、未执行必要的保护措施，以及由于使用非 Dell 提供的零件及组件所产生的问题等。

此有限保修不包括以下一个或多个类别中的任何项目：软件；外部设备（除非另有说明）；Dell 系统出厂之后添加的附件或零件；由 Dell 的系统集成部门添加至 Dell 系统的附件或零件；并非在 Dell 工厂中安装的附件或零件；或 Dell 软件和外围设备产品。Dell 品牌或 Dell 标准价格表上的显示器、键盘和鼠标也在有限保修范围之内；其它所有显示器、键盘和鼠标（包括通过“Dell 软件和外围设备”计划销售的此类产品）不在保修范围之内。便携式计算机的电池仅在此有限保修期的第一年内可以享受此保修。

第一年内可享受的有限保修

从购物发票之日起一年内，Dell 将按照有限保修规定对退回到 Dell 工厂的产品进行修理或更换。要获得保修服务，您必须在保修期内与 Dell 客户技术支持部门联系。有关获取客户帮助所需的适当联络信息，请参阅随计算机附带的说明文件中的“联络 Dell”。如果需要保修服务，Dell 会发出一个退回材料授权号。您必须使用原来的或相似的包装将产品装好并寄回 Dell，并且必须预付运费并为运送投保，或者承担产品在运送期间丢失或损坏的风险。如果您使用的地址在美国本土，Dell 会以预付运费的方式将修理或更换后的产品运送给您。如果在其它地区，则以运费到付的方式运送。

注：运送产品到 Dell 之前，请备份硬盘驱动器和产品中的其它存储设备上的数据。卸下任何可移动介质，例如软盘、CD 或 PC 卡。Dell 对数据或软件的丢失概不负责。

所有从维修产品中取出的零件均归 Dell 所有。维修和更换产品时，Dell 可以使用由不同制造商生产的全新或修理过的零件。如果 Dell 维修或更换了产品，其保修期不会因此而延长。

第二年及第三年内可享受的有限保修

在本有限保修的第二年及第三年，如果保修范围内的零件需要更换，Dell 将在有效期内以交换的方式并根据 Dell 交换规定（自交换之日起生效）为 Dell 硬件产品提供更换零件。您必须事先向 Dell 客户技术支持部门报告每一次的硬件故障情况，以便 Dell 同意更换并运送零件。如果您使用的地址在美国本土，Dell 会以预付运费的方式将零件运送给您，如果在其它地区，则以运费到付的方式运送。Dell 为每个需要更换的零件提供一个已预付运费的容器，供您运送退回的零件。更换零件是新的或修理过的零件。Dell 提供的更换零件可能由不同的制造商生产。更换零件的保修期为有限保修期剩余的时间。

如果您未将旧零件退回 Dell，则必须支付 Dell 更换零件所需的费用。对退回旧零件的处理以及未退回旧零件时所需支付的更换零件费用，将按照 Dell 交换规定从交换之日起开始执行。

您对自己的软件及数据负有全部责任。Dell 无义务建议或提醒您进行适当的备份以及采取其它措施。

一般规定

本有限保修授予您特定的法律权益，您可能还可能获得其它权益，视您所在的州（或辖区）而有所不同。对于硬件故障和缺陷，Dell 的责任仅限于本有限保修声明所述的修理及更换。所有明示和暗示的产品保修，包括但不限于对可销售性或某一特定用途适用性的暗示保证和条件，均以上面所述的保修期为期限，此期限到期后，无论是明示还是暗示的保修均将失效。

某些州（或辖区）不允许限制暗示保证的持续时间，因此上述限制可能不适用于您。

Dell 不承担此有限保修声明之外的任何责任，也不会对偶然或间接损失负责，包括产品不能使用或数据、软件丢失之类的无限制责任等。

某些州（或辖区）不允许对偶然或间接损失进行排除或限制，因此上述排除或限制可能不适用于您。

这些条款仅适用于 Dell 的三年有限保修。有关系统的服务合同条款，请参阅您收到的发票或单独的服务合同。

如果 Dell 选择更换系统或组件，则相关的更换步骤和条款将按照 Dell 交换规定从交换之日起执行。无论 Dell 在何种情况下发出退回材料授权号，您均必须在保修期内将需要维修的产品运送至 Dell，以获得有限保修范围内的维修。

四年有限保修（仅限于美国）

Dell Computer Corporation（“Dell”）使用符合工业标准规范的全新或相当于全新的零件和组件制造其硬件产品。Dell 保证其生产的硬件产品不存在材料和工艺上的缺陷。从购物发票之日起，有限保修期为四年，如下文所述。

产品在交付给您时，由于运送而导致的损坏也在有限保修范围之内。但是，此有限保修并不包括由于外在原因而导致的损坏，包括意外事故、滥用、误用、电源问题、未经 Dell 授权的维修、违反产品说明的用法、未执行必要的保护措施，以及由于使用非 Dell 提供的零件及组件所产生的问题等。

此有限保修不包括以下一个或多个类别中的任何项目：软件；外部设备（除非另有说明）；Dell 系统出厂之后添加的附件或零件；由 Dell 的系统集成部门添加至 Dell 系统的附件或零件；并非在 Dell 工厂中安装的附件或零件；或 Dell 软件和外围设备产品。Dell 品牌或 Dell 标准价格表上的显示器、键盘和鼠标也在有限保修范围之内；其它所有显示器、键盘和鼠标（包括通过“Dell 软件和外围设备”计划销售的此类产品）不在保修范围之内。便携式计算机的电池仅在此有限保修期的第一年内可以享受此保修。

第一年内可享受的有限保修

自购物发票之日起一年内，Dell 将按照有限保修规定对退回到 Dell 工厂的产品进行修理或更换。要获得有限保修服务，您必须在有限保修期内与 Dell 客户技术支持部门联系。有关获取客户帮助所需的适当联络信息，请参阅随计算机附带的说明文件中的“联络 Dell”。如果需要有限保修服务，Dell 会发出一个退回材料授权号。您必须使用原来的或相似的包装将产品装好并寄回 Dell，并且必须预付运费并为运送投保，或者承担产品在运送期间丢失或损坏的风险。如果您使用的地址在美国本土，Dell 会以预付运费的方式将修理或更换后的产品运送给您。如果在其它地区，则以运费到付的方式运送。

注：运送产品到 Dell 之前，请备份硬盘驱动器和产品中的其它存储设备上的数据。卸下任何可移动介质，例如软盘、CD 或 PC 卡。Dell 对数据或软件的丢失概不负责。

所有从维修产品中取出的零件均归 Dell 所有。维修和更换产品时，Dell 可以使用由不同制造商生产的全新或修理过的零件。如果 Dell 维修或更换了产品，其保修期不会因此而延长。

第二年、第三年和第四年内可享受的有限保修

在有限保修的第二年、第三年和第四年，如果有限保修范围内的零件需要更换，Dell 将在有效期内以交换的方式并根据 Dell 交换规定为 Dell 硬件产品提供更换零件。您必须事先向 Dell 客户技术支持部门报告每一次硬件故障情况，以便 Dell 同意更换并运送零件。如果您使用的地址在美国本土，Dell 会以预付运费的方式将零件运送给您，如果在其它地区，则以运费到付的方式运送。Dell 为每个需要更换的零件提供一个已预付运费的容器，供您运送退回的零件。更换零件是新的或修理过的零件。Dell 提供的更换零件可能由不同的制造商生产。更换后零件的有限保修期为有限保修期剩余的时间。

如果您未将旧零件退回 Dell，则必须支付 Dell 更换零件所需的费用。对退回旧零件的处理以及未退回旧零件时所需支付的更换零件费用，将按照 Dell 交换规定从交换之日起开始执行。

您对自己的软件及数据负有全部责任。Dell 无义务建议或提醒您进行适当的备份以及采取其它措施。

一般规定

本有限保修授予您特定的法律权益，您可能还可能获得其它权益，视您所在的州（或辖区）而有所不同。对于硬件故障和缺陷，Dell 的责任仅限于本有限保修声明所述的修理及更换。所有明示和暗示的产品保修，包括但不限于对可销售性或某一特定用途适用性的暗示保证和条件，均以上面所述的保修期为期限，此期限到期后，无论是明示还是暗示的保修均将失效。某些州（或辖区）不允许限制暗示保证的持续时间，因此上述限制可能不适用于您。

Dell 不承担此有限保修声明之外的任何责任，也不会对偶然或间接损失负责，包括产品不能使用或数据、软件丢失之类的无限制责任等。某些州（或辖区）不允许对偶然或间接损坏进行排除或限制，因此上述排除或限制可能不适用于您。

如果 Dell 选择更换系统或组件，则相关的更换步骤和条款将按照 Dell 交换规定从交换之日起执行。无论 Dell 在何种情况下发出退回材料授权号，您均必须在保修期内将需要维修的产品运送至 Dell，以获得有限保修范围内的维修。

这些条款仅适用于 Dell 的四年有限保修。关于您的系统的现场服务合约条款，请参阅您将收到的现场服务合约。

一年有限保修（仅限于加拿大）

Dell Computer Corporation（“Dell”）使用符合工业标准规范的全新或相当于全新的零件和组件制造其硬件产品。Dell 保证其生产的硬件产品不存在材料和工艺上的缺陷。从购物发票之日起，有限保修期为一年，如下文所述。

产品在交付给您时，由于运送而导致的损坏也在有限保修范围之内。但是，此有限保修并不包括由于外在原因而导致的损坏，包括意外事故、滥用、误用、电源问题、未经 Dell 授权的维修、违反产品说明的用法、未执行必要的保护措施，以及由于使用非 Dell 提供的零件及组件所产生的问题等。

此有限保修不包括以下一个或多个类别中的任何项目：软件；外部设备（除非另有说明）；Dell 系统出厂之后添加的附件或零件；由 Dell 的系统集成部门添加至 Dell 系统的附件或零件；并非在 Dell 工厂中安装的附件或零件；或 Dell 软件和外围设备产品。Dell 品牌或 Dell 标准价格表上的显示器、键盘和鼠标也在有限保修范围之内；其它所有显示器、键盘和鼠标（包括通过“Dell 软件和外围设备”计划销售的此类产品）不在保修范围之内。

Dell 按照此有限保修规定对退回到 Dell 工厂的产品进行修理或更换。要获得保修服务，您必须在保修期内与 Dell 客户技术支持部门联系。有关获取客户帮助所需的适当联络信息，请参阅随计算机附带的说明文件中的“联络 Dell”。如果需要保修服务，Dell 会发出一个退回材料授权号。您必须使用原来的或相似的包装将产品装好并寄回 Dell，并且必须预付运费并为运送投保，或者承担产品在运送期间丢失或损坏的风险。如果您使用的地址在加拿大，Dell 会以预付运费的方式将修理或更换后的产品运送给您。如果在其它地区，则以运费到付的方式运送。

注：运送产品到 Dell 之前，请备份硬盘驱动器和产品中的其它存储设备上的数据。卸下任何可移动介质，例如软盘、CD 或 PC 卡。Dell 对数据或软件的丢失概不负责。

所有从维修产品中取出的零件均归 Dell 所有。维修和更换产品时，Dell 可以使用由不同制造商生产的全新或修理过的零件。如果 Dell 维修或更换了产品，其保修期不会因此而延长。

除此有限保修声明之外，Dell 不承认其它明确的保证或条件。Dell 否认其它所有明示或暗示的保证和条件，包括但不限于对可销售性或特定用途适用性的暗示保证和条件。某些州（或辖区）不允许对暗示保证或条件加以限制，因此该项限制可能不适用于您。

对于硬件故障和缺陷，Dell 的责任仅限于本有限保修声明所述的修理及更换。这些保修赋予您特定的法律权益，而且您可能还拥有其它权益，视您所在的州（或辖区）而有所不同。

Dell 不承担此有限保修声明之外的任何责任，也不会对偶然、间接、特殊性、惩罚性或随附损失负责，包括但不限于产品不能使用或数据、软件丢失等责任。

某些州（或辖区）不允许对偶然、间接、特殊性、惩罚性或随附损失进行排除或限制，因此上述排除或限制可能不适用于您。

这些条款仅适用于 Dell 的一年有限保修。有关系统的服务合同条款，请参阅您收到的发票或单独的服务合同。

如果 Dell 选择更换产品或产品部件，则相关的更换步骤和条款将按照 Dell 交换规定从交换之日起执行。无论 Dell 在何种情况下发出退回材料授权号，您均必须在保修期内将需要维修的产品运送至 Dell，才能获得有限保修范围内的维修。

两年有限保修（仅限于加拿大）

Dell Computer Corporation（“Dell”）使用符合工业标准规范的全新或相当于全新的零件和组件制造其硬件产品。Dell 保证其生产的硬件产品不存在材料和工艺上的缺陷。从购物发票之日起，有限保修期为两年，如下文中所述。

产品在交付给您时，由于运送而导致的损坏也在有限保修范围之内。但是，此有限保修并不包括由于外在原因而导致的损坏，包括意外事故、滥用、误用、电源问题、未经 Dell 授权的维修、违反产品说明的用法、未执行必要的保护措施，以及由于使用非 Dell 提供的零件及组件所产生的问题等。

此有限保修不包括以下一个或多个类别中的任何项目：软件；外部设备（除非另有说明）；Dell 系统出厂之后添加的附件或零件；由 Dell 的系统集成部门添加至 Dell 系统的附件或零件；并非在 Dell 工厂中安装的附件或零件；或 Dell 软件和外围设备产品。Dell 品牌或 Dell 标准价格表上的显示器、键盘和鼠标也在有限保修范围之内；其它所有显示器、键盘和鼠标（包括通过“Dell 软件和外围设备”计划销售的此类产品）不在保修范围之内。便携式计算机的电池仅在此有限保修期的第一年内可以享受此保修。

第一年内可享受的有限保修

自购物发票之日起一年内，Dell 将按照有限保修规定对退回到 Dell 工厂的产品进行修理或更换。要获得保修服务，您必须在保修期内与 Dell 客户技术支持部门联系。有关获取客户帮助所需的适当联络信息，请参阅随计算机附带的说明文件中的“联络 Dell”。如果需要保修服务，Dell 会发出一个退回材料授权号。您必须使用原来的或相似的包装将产品装好并寄回 Dell，并且必须预付运费并为运送投保，或者承担产品在运送期间丢失或损坏的风险。如果您使用的地址在加拿大，Dell 会以预付运费的方式将修理或更换后的产品运送给您。如果在其它地区，则以运费到付的方式运送。

注：运送产品到 Dell 之前，请备份硬盘驱动器和产品中的其它存储设备上的数据。卸下任何可移动介质，例如软盘、CD 或 PC 卡。Dell 对数据或软件的丢失概不负责。

所有从维修产品中取出的零件均归 Dell 所有。维修和更换产品时，Dell 可以使用由不同制造商生产的全新或修理过的零件。如果 Dell 修理或更换了产品，其保修期不会因此而延长。

第二年内可享受的有限保修

在有限保修的第二年，如果有限保修范围内的零件需要更换，Dell 将在有效期内以交换的方式并根据 Dell 交换规定为 Dell 硬件产品提供更换零件。您必须事先向 Dell 客户技术支持部门报告每一次硬件故障情况，以便 Dell 同意更换并运送零件。如果您使用的地址在加拿大，Dell 会以预付运费的方式将零件运送给您，如果在其它地区，则以运费到付的方式运送。Dell 为每个需要更换的零件提供一个已预付运费的容器，供您运送退回的零件。更换零件是新的或修理过的零件。Dell 提供的更换零件可能由不同的制造商生产。更换后零件的保修期为有限保修期的剩余时间。

如果您未将旧零件退回 Dell，则必须支付 Dell 更换零件所需的费用。对退回旧零件的处理以及未退回旧零件时所需支付的更换零件费用，将按照 Dell 交换规定从交换之日起开始执行。

您对自己的软件及数据负有全部责任。Dell 无义务建议或提醒您进行适当的备份以及采取其它措施。

一般规定

除此有限保修声明之外，Dell 不承认其它明确的保证或条件。Dell 否认其它所有明示或暗示的保证和条件，包括但不限于对可销售性或特定用途适用性的暗示保证和条件。某些州（或辖区）不允许对暗示保证或条件加以限制，因此该项限制可能不适用于您。

对于硬件故障和缺陷，Dell 的责任仅限于本有限保修声明所述的修理及更换。这些保修赋予您特定的法律权益，而且您可能还拥有其它权益，视您所在的州（或辖区）而有所不同。

Dell 不承担此有限保修声明之外的任何责任，也不会对偶然、间接、特殊性、惩罚性或随附损失负责，包括但不限于产品不能使用或数据、软件丢失等责任。

某些州（或辖区）不允许对偶然、间接、特殊性、惩罚性或随附损失进行排除或限制，因此上述排除或限制可能不适用于您。

这些条款仅适用于 Dell 的两年有限保修。有关系统的服务合同条款，请参阅您收到的发票或单独的服务合同。

如果 Dell 选择更换系统或组件，则相关的更换步骤和条款将按照 Dell 交换规定从交换之日起执行。无论 Dell 在何种情况下发出退回材料授权号，您均必须在保修期内将需要维修的产品运送至 Dell，才能获得有限保修范围内的维修。

三年有限保修（仅限于加拿大）

Dell Computer Corporation（“Dell”）使用符合工业标准规范的全新或相当于全新的零件和组件制造其硬件产品。Dell 保证其生产的硬件产品不存在材料和工艺上的缺陷。从购物发票之日起，保修期为三年，如下文所述。

产品在交付给您时，由于运送而导致的损坏也在有限保修范围之内。但是，此有限保修并不包括由于外在原因而导致的损坏，包括意外事故、滥用、误用、电源问题、未经 Dell 授权的维修、违反产品说明的用法、未执行必要的保护措施，以及由于使用非 Dell 提供的零件及组件所产生的问题等。

此有限保修不包括以下一个或多个类别中的任何项目：软件；外部设备（除非另有说明）；Dell 系统出厂之后添加的附件或零件；由 Dell 的系统集成部门添加至 Dell 系统的附件或零件；并非在 Dell 工厂中安装的附件或零件；或 Dell 软件和外围设备产品。Dell 品牌或 Dell 标准价格表上的显示器、键盘和鼠标也在有限保修范围之内；其它所有显示器、键盘和鼠标（包括通过“Dell 软件和外围设备”计划销售的此类产品）不在保修范围之内。便携式计算机的电池仅在此有限保修期的第一年内可以享受此保修。

第一年内可享受的有限保修

从购物发票之日起一年内，Dell 将按照有限保修规定对退回到 Dell 工厂的产品进行修理或更换。要获得保修服务，您必须在保修期内与 Dell 客户技术支持部门联系。有关获取客户帮助所需的适当联络信息，请参阅随计算机附带的说明文件中的“联络 Dell”。如果需要保修服务，Dell 会发出一个退回材料授权号。您必须使用原来的或相似的包装将产品装好并寄回 Dell，并且必须预付运费并为运送投保，或者承担产品在运送期间丢失或损坏的风险。如果您使用的地址在加拿大，Dell 会以预付运费的方式将修理或更换后的产品运送给您。如果在其它地区，则以运费到付的方式运送。

注：运送产品到 Dell 之前，请备份硬盘驱动器和产品中的其它存储设备上的数据。卸下任何可移动介质，例如软盘、CD 或 PC 卡。Dell 对数据或软件的丢失概不负责。

所有从维修产品中取出的零件均归 Dell 所有。维修和更换产品时，Dell 可以使用由不同制造商生产的全新或修理过的零件。如果 Dell 修理或更换了产品，其保修期不会因此而延长。

第二年及第三年内可享受的有限保修

在本有限保修的第二年及第三年，如果保修范围内的零件需要更换，Dell 将在有效期内以交换的方式并根据 Dell 交换规定（自交换之日起生效）为 Dell 硬件产品提供更换零件。您必须事先向 Dell 客户技术支持部门报告每一次的硬件故障情况，以便 Dell 同意更换并运送零件。如果您使用的地址在加拿大，Dell 会以预付运费的方式将零件运送给您，如果在其它地区，则以运费到付的方式运送。Dell 为每个需要更换的零件提供一个已预付运费的容器，供您运送退回的零件。更换零件是新的或修理过的零件。Dell 提供的更换零件可能由不同的制造商生产。更换零件的保修期为有限保修期剩余的时间。

如果您未将旧零件退回 Dell，则必须支付 Dell 更换零件所需的费用。对退回旧零件的处理以及未退回旧零件时所需支付的更换零件费用，将按照 Dell 交换规定从交换之日起开始执行。

您对自己的软件及数据负有全部责任。Dell 无义务建议或提醒您进行适当的备份以及采取其它措施。

一般规定

除此有限保修声明之外，Dell 不承认其它明确的保证或条件。Dell 否认其它所有明示或暗示的保证和条件，包括但不限于对可销售性或特定用途适用性的暗示保证和条件。某些州（或辖区）不允许对暗示保证或条件加以限制，因此该项限制可能不适用于您。

对于硬件故障和缺陷，Dell 的责任仅限于本有限保修声明所述的修理及更换。这些保修赋予您特定的法律权益，而且您可能还拥有其它权益，视您所在的州（或辖区）而有所不同。

Dell 不承担此有限保修声明之外的任何责任，也不会对偶然、间接、特殊性、惩罚性或随附损失负责，包括但不限于产品不能使用或数据、软件丢失等责任。

某些州（或辖区）不允许对偶然、间接、特殊性、惩罚性或随附损失进行排除或限制，因此上述排除或限制可能不适用于您。

这些条款仅适用于 Dell 的三年有限保修。有关系统的服务合同条款，请参阅您收到的发票或单独的服务合同。

如果 Dell 选择更换系统或组件，则相关的更换步骤和条款将按照 Dell 交换规定从交换之日起执行。无论 Dell 在何种情况下发出退回材料授权号，您均必须在保修期内将需要维修的产品运送至 Dell，以获得有限保修范围内的维修。

“完全满意”退回规定（仅限于美国）

如果您是直接从 Dell 公司购买新产品的最终用户，则可以根据发票上的日期，在 30 天内将此产品退回 Dell，以便按购买价格得到退款或信用退回。如果您是从 Dell 公司购买修理产品或重新配置产品的最终用户，则可以根据发票上的日期，在 14 天内将此产品退回 Dell，以便按购买价格得到退款或信用退回。无论上述哪种情况，退款或信用退回均不包含发票中列出的运费和装卸费。如果您的组织依据与 Dell 签署的书面协议购买产品，则协议中可能包含与此规定不同的产品退回条款。

要退回产品，您必须与 Dell 客户服务部门联系，获得信用退回授权号。有关获取客户帮助所需的适当联络信息，请参阅随计算机附带的说明文件中的“联络 Dell”。为尽快处理您的退款或信用退回，Dell 希望您能在 Dell 发出信用退回授权号后 5 天之内，用原来的包装将产品退回。您还必须预付运费并且为运送投保，或者承担产品在运输期间损坏或丢失的风险。如果您要退回软件，则仅在软盘或 CD 的封印包装没有被打开的情况下才能得到退款或信用退回。退回的产品必须保持原样，并且所有的手册、软盘、CD、电源电缆以及产品附带的其它项目均应一起退回。对于要退回产品以获得退款或信用退回的客户，如果 Dell 已安装应用程序软件或操作系统，应将整个系统连同出厂时附带的介质和说明文件一起退回。

此“完全满意”退回规定不适用于 Dell 软件和外围设备产品，此类产品的退回需遵循 Dell 软件和外围设备的最新退回规定。“完全满意”退回规定也不适用于 Dell | EMC 存储产品。

一年最终用户制造商保证（仅限于拉丁美洲和加勒比海地区）

保证

Dell Computer Corporation（“Dell”）依据以下条款向最终用户保证：自原始购买之日起一年之内，最终用户从 Dell 公司或从拉丁美洲或加勒比海地区的 Dell 授权分销商购买的 Dell 品牌硬件产品不会出现影响产品正常使用的材料、工艺和设计缺陷。对于正当索赔的产品，Dell 决定是否对其进行维修或更换，费用由 Dell 承担。从维修产品中取出的所有零件均归 Dell 所有。Dell 可以使用其它制造商制造的全新或修理过的零件来维修和更换产品。

责任排除

本保证不适用于以下情况造成的损坏：不正确或不适当地安装、使用或维护；由未经授权的第三方或最终用户擅自进行的操作或修改；意外事故导致的损坏或蓄意损坏；或者正常磨损。

索赔

拉丁美洲或加勒比海地区的用户必须在保证有效期内向 Dell 的销售中心联系索赔事宜。最终用户必须提供购买证明，并且说明销售商的名称和地址、购买日期、机型和序列号、客户的姓名和地址以及出现故障时的详细症状和配置（包括所用的外围设备和软件）。否则，Dell 可以拒绝履行本保证规定的索赔条款。Dell 检测到产品出现保修范围内的缺陷后，会将产品陆运至 Dell 维修 / 更换中心，并且承担往返运费和投保费用。最终用户必须使用原来的或相似的包装运送损坏的产品，同时提供以上所列详细资料和 Dell 为最终用户提供的退回授权号。

限制和法定权利

除了上述明确声明之外，Dell 并未作出其它保修、保证和类似的声明，并且此保证可以在法律允许的最大范围内取代其它所有保证。在没有适用的法律依据时，最终用户只能依据此保证向 Dell 或其会员进行索赔。对于利益或合同的损失、由于疏忽和违约而导致的其它偶然或必然损失或者其它任何损失，Dell 及其会员概不负责。

此保证并不会削弱或影响最终用户的法定权益对最终用户与 Dell 和（或）其它任何销售商之间签订的其它合同所产生权益的约束力，并且（或）不会削弱或影响最终用户与 Dell 和（或）其它任何销售商之间签订的其它合同所产生的权益。

Dell World Trade LP

One Dell Way, Round Rock, TX 78682, USA

Dell Computadores do Brasil Ltda (CNPJ No. 72.381.189/0001-10)/

Dell Commercial do Brasil Ltda (CNPJ No. 03 405 822/0001-40)

Avenida Industrial Belgraf, 400

92990-000 - Eldorado do Sul – RS - Brasil

Dell Computer de Chile Ltda

Coyancura 2283, Piso 3- Of.302,

Providencia, Santiago - Chile

Dell Computer de Colombia Corporation

Carrera 7 #115-33 Oficina 603

Bogota, Colombia

Dell Computer de Mexico SA de CV

Paseo de la Reforma 2620 - 11° Piso

Col. Lomas Altas




11950 Mexico, D.F.

Dell™ Inspiron™

アドバンスポートリプリケータ ユーザーズガイド



ヒント、注意および警告

-  **ヒント**：ヒントは、コンピュータを使いやすくする為の重要な情報を説明しています。
-  **注意**：注意は、ハードウェアの損傷やデータの損失の可能性を示し、その危険を回避するための方法を説明しています。
-  **警告**：警告は、物的損害、けが、または死亡の原因となる可能性があることを示します。

略語と頭字語

本章で使用される略語一覧については、『はじめよう』というヘルプファイルを参照してください。

Microsoft® Windows® XP の場合

- 1 スタートボタンをクリックし、ヘルプとサポートをクリックします。
- 2 ユーザーズガイドおよびシステムガイドをクリックし、ユーザーズガイドをクリックします。
- 3 はじめようをクリックします。

Windows 2000 の場合は、Microsoft Windows デスクトップのスタートボタンをクリックし、プログラム → ユーザーズガイドを選択してからはじめようをクリックします。

ここに記載されている内容は予告なく変更されることがあります。
© 1999–2002 すべての著作権は Dell Computer Corporation にあります。

Dell Computer Corporation の書面による許可のない複写は、いかなる形態においても厳重に禁じられています。

本書で使用されている商標について：Dell、DELL のロゴ、および Inspiron は、Dell Computer Corporation の登録商標です。Microsoft および Windows は Microsoft Corporation の登録商標です。3Com は 3Com Corporation の登録商標です。Intel、Celeron、および Pentium は Intel Corporation の登録商標です。EMC は EMC Corporation の登録商標です。

本書では、必要に応じて上記記載以外の商標および会社名が使用されていますが、これらの商標や会社名は、一切 Dell Computer Corporation に所属するものではありません。

目次

警告：安全にお使いいただくために	91
一般規定	91
電源	92
はじめに	93
コンピュータを最初にドッキングする前に	93
コンピュータのドッキング	94
コンピュータのドッキング解除	95
APR I/O コネクタ	96
APR ボタンおよびインジケータ	98
外付けデバイスの APR への接続	98
オプションのモニタスタンド	99
仕様	100
認可機関の情報	101
VCCI 規定（情報処理装置等電波障害自主規制協議会規定 日本のみ）	102
保証期間中の修理もしくは返品について	104
製品の修理のための返送（引き取り修理対応機種）	104
修理以外の理由で製品を返品する場合	104

警告：安全にお使いいただくために

ご自身の身体の安全を守り、コンピュータおよび作業環境を保護するために、以下の安全に関するガイドラインに従ってください。

一般規定

- トレーニングを受けたサービス技術者以外の方は、ご自身でアドバンスポートリプリケータ（APR）を修理しないでください。各種機器の取り付けに関しては、それぞれの手順に必ず従ってください。
- AC アダプタと延長ケーブルを使用する場合は、延長ケーブルに接続する機器の定格電流の合計が、ケーブルの許容定格電流を超えないことを確認してください。
- コンピュータの通風孔や開口部に異物を押し込まないでください。開口部に異物を押し込むと、内部の部品がショートして、発火や感電の原因となる場合があります。
- キャリングケースの中など、空気の流れない密封された環境で APR を動作させないでください。このような場所でコンピュータを使用すると、コンピュータが破損したり、火災の原因になる恐れがあります。
- 暖房器具や熱源の近くに APR を設置しないでください。また、冷却用の通気孔を塞がないでください。コンピュータの下に紙を置いたり、コンピュータを閉ざされた壁の部屋、ベッド、ソファ、じゅうたんの上に設置しないでください。
- AC アダプタは通気の良い場所に設置してください。コンピュータに電源を供給したりバッテリーを充電する場合、アダプタは机の上や床などに設置してください。紙や、冷却効果を妨げるもので AC アダプタを覆わないでください。また、AC アダプタをキャリングケースに入れて使用しないでください。
- AC アダプタは、コンピュータの通常操作時に熱くなることがあります。操作時または使用した直後にアダプタを扱う際は注意してください。
- 浴槽、洗面台、プールの近くや湿気の多い地下室など、湿気のある場所では APR を使用しないでください。

警告：安全にお使いいただくために（続き）

- 雷雨の際は、感電の危険を避けるため、ケーブルの抜き差しや本製品の再設定は一切行わないでください。雷雨の際は、APR を使用しないでください。
- APR を清掃する際は、コンセントから APR を取り外してください。APR の清掃には、水で湿らせたやわらかい布を使用してください。可燃性物質を含む可能性のある液体または噴霧状のクリーナを使用しないでください。

電源

- APR 用に認可された Dell 専用の AC アダプタのみをご使用ください。その他の AC アダプタを使用すると、発火や破裂の恐れがあります。
- APR を電源コンセントに接続する前に、AC アダプタの定格電圧をチェックして、指定電圧と周波数が電源と一致していることを確認してください。
- APR の電源を遮断するには、コンピュータの電源を切って、コンピュータをドッキング解除し、AC アダプタケーブルを APR の背面から抜いてください。
- 感電の危険を避けるために、AC アダプタや周辺機器の電源コードは、正しくアースされている電源コンセントに接続してください。これらの電源ケーブルでは、正しくアースするために、三芯プラグが使用されていることがあります。アダプタプラグを使用したり、アース用のピンをケーブルから取り外したりしないでください。延長ケーブルを使用する場合は、AC アダプタ電源ケーブルに適合する 2 ピンもしくは 3 ピンタイプのものを使用してください。
- AC アダプタの電源コードの上に物を載せないでください。また、人が踏んだりつまずいたりする恐れのある位置に設置しないでください。
- 複数のコンセントがある電力ストリップを使用する場合、AC アダプタの電源ケーブルを電力ストリップへ接続する際は、特に注意してください。電源タップによっては、プラグが正しく差し込まれていなくても、差し込めることがあります。電源プラグを正しく差し込まないと、ご使用のコンピュータが完全に損傷したり、感電したり発火する恐れがあります。電源プラグの接地芯が対応する電源タップの接地端子に挿入されていることを確認します。

はじめに

アドバンスポートリプリケータ (APR) を使って、Dell™ コンピュータをデスクトップ環境にすばやく容易に統合できます。本書の手順に従って、コンピュータを APR に接続 (ドッキング) し、外付けデバイスを取り付けてください。

コンピュータを最初にドッキングする前に

コンピュータを最初に APR (Advanced Port Replicator : アドバンスポートリプリケータ) にドッキングする場合は、その前にオペレーティングシステムのセットアッププロセスが完了していなければなりません。オペレーティングシステムのセットアッププロセスが完了しているかを確認するには、以下の手順を実行してください。

- 1 コンピュータが APR にまだドッキングされていないことを確認します。
- 2 コンピュータの電源を入れます。
- 3 コンピュータのオペレーティングシステムのセットアッププロセスが完了し、Microsoft® Windows® のデスクトップ画面が表示されることを確認します。
- 4 APR に BIOS アップグレードフロッピーディスクが同梱されている場合は、コンピュータを APR に接続する前に、ディスクを使用してコンピュータの BIOS をアップグレードします。

手順については、BIOS アップグレードディスクに同梱のマニュアルを参照してください。

- 5 コンピュータの電源を切ります。

これで、次項の「コンピュータのドッキング」に進んで、コンピュータを APR に接続することができます。

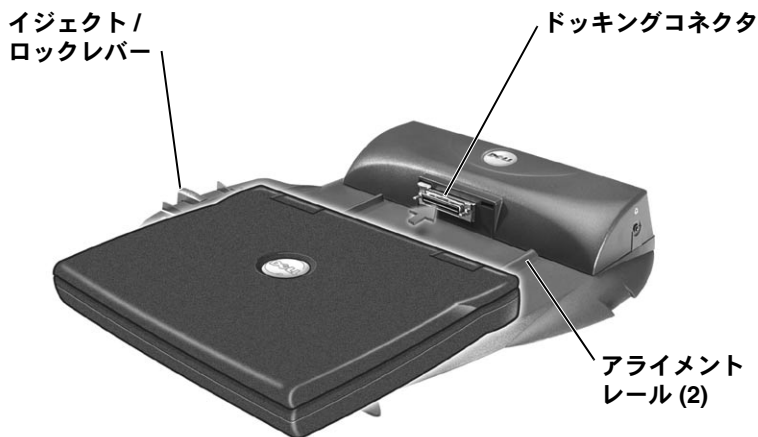
コンピュータのドッキング

APR に AC アダプタを取り付けてから、コンピュータをドッキングし、コンピュータの電源を入れてください。AC アダプタは、APR と、コンピュータへ同時に電源を供給します。コンピュータに取り付けられているバッテリーは、APR を使用している間に充電されます。


➡ 注意: 必ず、APR に同梱されている Dell 社製の AC アダプタを使用してください。（AC アダプタの底部に付いているモデル番号が PA-6、PA-9 のものを使用してください。）市販の AC アダプタや旧型の Dell コンピュータに付属の AC アダプタを使用すると、APR やコンピュータが損傷する場合があります。

- 1 前項の「コンピュータを最初にドッキングする前に」の手順を完了します。
- 2 開いているファイルをすべて保存して閉じ、開いているプログラムをすべて終了してからコンピュータをシャットダウンします。
- 3 まだ接続していない場合は、AC アダプタを APR に接続し、AC 電源ケーブルを電源コンセントに差し込みます。
- 4 図のように、コンピュータの背面を APR のドッキングコネクタの方に向けて、コンピュータを APR プラットフォームの中央に水平に置きます。

✍ ヒント: コンピュータを最初にドッキングする前に、モニター、キーボード、マウスを除く外付けデバイスは取り外してください。



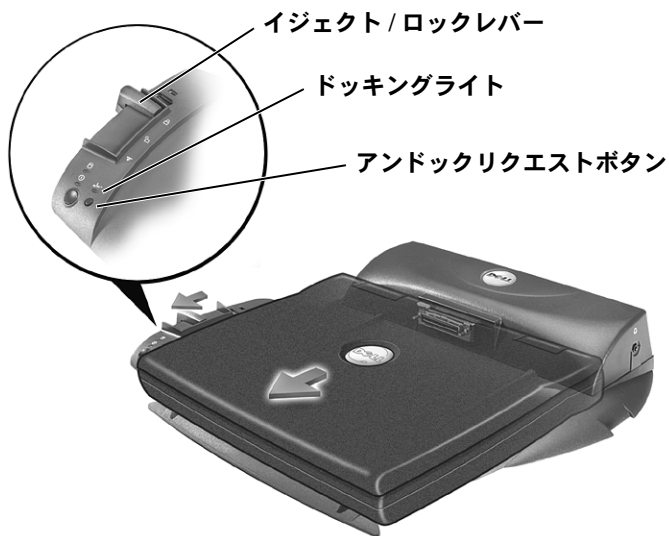
- 5 コンピュータの底の溝とアライメントレールがかみ合うまで、コンピュータをコネクタの方にスライドします。
- ➡ **注意:** アライメントレールにかみ合わないままコンピュータを APR の奥まで押し込もうとすると、コンピュータのドッキングコネクタが損傷し、修復不可能になる場合があります。
- 6 コンピュータをゆっくりと前に押し、ドッキングコネクタを完全にはめ込みます。

 **ヒント:** オプションのモニタスタンドを取り付けている場合は (99 ページを参照)、アライメントレールまたはドッキングコネクタは隠れて見えません。

コンピュータのドッキング解除

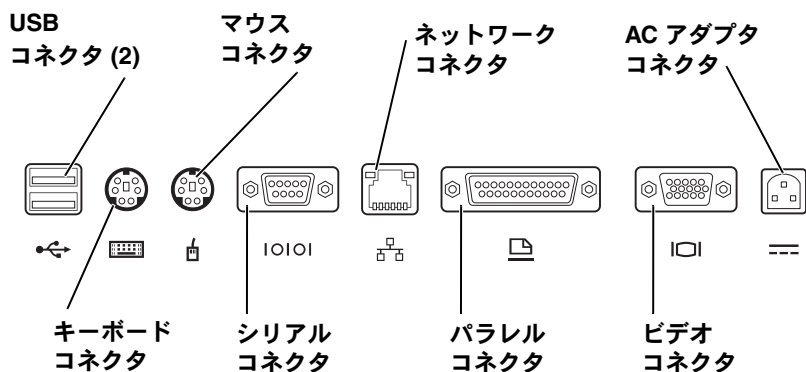
- ➡ **注意:** バッテリー電源が切れている状態でコンピュータをドッキング解除すると、コンピュータの電源はオフとなり、保存されていないすべてのデータは失われます。
- 1 開いているファイルをすべて保存して閉じ、開いているプログラムをすべて終了してからコンピュータをシャットダウンします。
- ➡ **注意:** コンピュータのドッキングを解除する前に、必ずドッキング解除の準備をしてください。次にあげる 3 つの方法のいずれかを使って、データ転送を終了させ、オペレーティングシステム、ネットワーク、ストレージデバイスをドッキング解除できるような状態にしてください。データ転送を完了する前にコンピュータのドッキングを解除すると、データが失われ、コンピュータが数分間通常操作に戻らなくなる恐れがあります。
- 2 コンピュータでドッキング解除を準備するには、以下の方法の中から 1 つを実行します。
 - コンピュータキーボードの <Fn><Esc> キー (外付けキーボードの場合は、<Scroll Lock><Esc> キー) を押します。
2、3 秒後に、コンピュータの電源ランプが消えます。
 - Windows 98、Windows Millennium Edition (Me)、あるいは Windows 2000 を使用している場合は、**スタートボタン**をクリックし、次に **PC の取り出し** をクリックします。Windows XP を使用している場合は、**スタートボタン** をクリックし、次に **ハードウェアの安全な取り外し** をクリックします。
2、3 秒後に、コンピュータの電源ランプが消えます。
 - APR のアンドックリクエストボタンを押します (98 ページを参照)。
緑色のドッキングライトが消えます。

- 3 APR の左端にあるイジェクト / ロックレバーをイジェクトの位置へスライドさせて、コンピュータをドッキング解除します。










APR I/O コネクタ

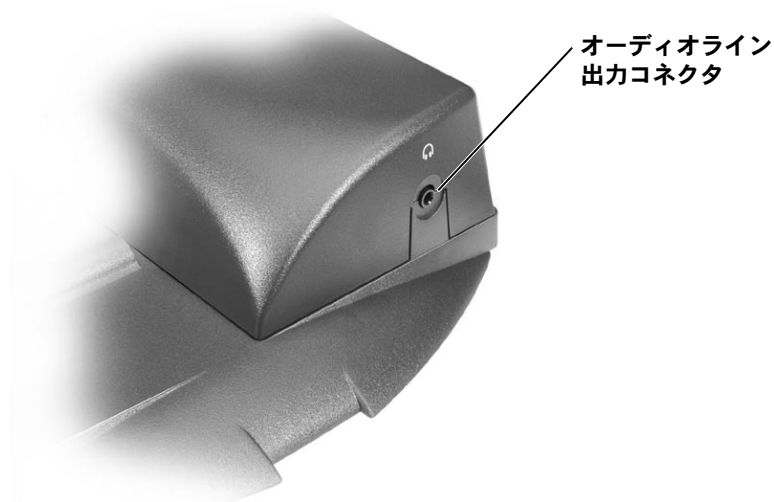
APR の背面と側面にある I/O コネクタは、コンピュータの背面と側面のプライマリコネクタと同じです。



次の表は、APR 背面の各コネクタに対応するアイコンと各コネクタに接続できる外付けデバイスの種類を示したものです。

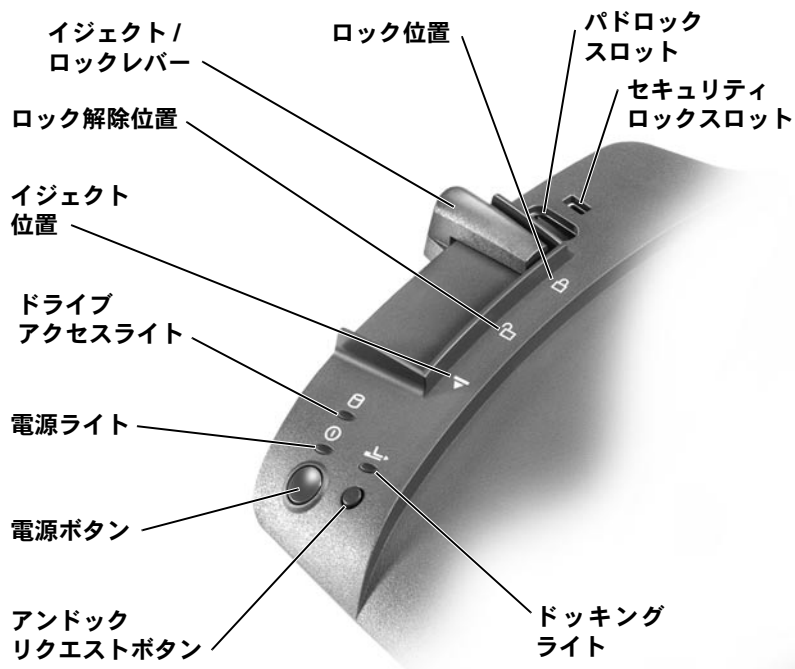
コネクタアイコン	コネクタの説明
	USB マウスなどの USB デバイスを 1 つまたは 2 つ接続します。
	PS/2 スタイルキーボードやテンキーパッドを接続します。
	PS/2 互換マウスを接続します。
10101	シリアルマウスやデジタルカメラなどのシリアルデバイスを接続します。
	ネットワークインタフェースケーブルを接続します。
	プリンタなどのパラレルデバイスを接続します。
	外付けモニタを接続します。
	AC アダプタを接続します。

オーディオライン出力コネクタは、APR の側面にあります。



APR ボタンおよびインジケータ

APR のボタンおよびインジケータを、以下の図に示します。



外付けデバイスの APR への接続

APR に外付けデバイスを取り付けるには、以下の手順を実行します。

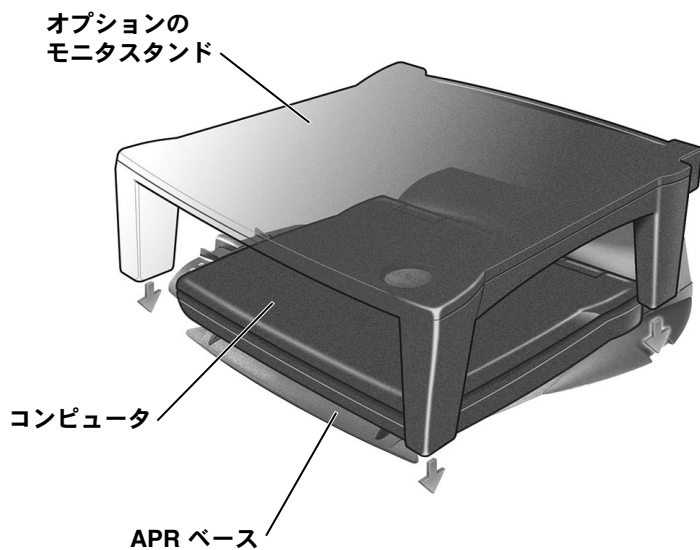
ヒント: 外付けデバイスのケーブルコネクタに蝶ネジが付いている場合は、蝶ネジを締めて確実にドッキングしてください。

- 1 デバイスのケーブルを APR 背面の対応するコネクタに接続します。
- 2 適切ならば、外付けデバイスを電源コンセントに接続します。

オプションのモニタスタンド

➡ **注意**：スタンドに乗せることができるモニタは、最大 45.3 キログラム (kg) までです。これより重いモニタに使用すると、スタンド、コンピュータ、および APR が損傷する恐れがあります。

✍ **ヒント**：モニタスタンド裏側のつめが、ドッキングコントロールベースの両側にあるスロットにきちんとはまっていることを確認してください。



仕様

物理的仕様

高さ:

モニタスタンド取り付け時	10.2 cm
本体のみ	5.8 cm

奥行き:

モニタスタンド取り付け時	39.0 cm
本体のみ	35.8 cm

幅:

モニタスタンド取り付け時	37.5 cm
本体のみ	40.9 cm

重量:

モニタスタンド取り付け時	3.0 kg
本体のみ	1.6 kg

I/O コネクタ

シリアル (DTE)	9 ピンコネクタ
パラレル	25 ピンコネクタ (メス)
PS/2 スタイルキーボード / テンキーパッド	6 ピン PS/2 スタイルキーボードコネクタ (メス)
PS/2 互換マウス	6 ピン PS/2 互換マウスコネクタ (メス)
ビデオ	15 ピンコネクタ (メス)
オーディオ	スピーカー出力 (オプションのヘッドホン用)
USB (デュアル)	4 ピンコネクタ × 2
DC-IN	コネクタ × 1
ドッキングコネクタ	240 ピンコネクタ
ネットワークアダプタ	RJ-45 コネクタ

Ethernet ネットワークコントローラ

チップセット	3Com® 3C920; 10/100 BASE-TX (PC99 準拠)
データバス幅	32 ビット PCI ホストバスインタフェース
IRQ	IRQ10

電源

電圧	AC アダプタから 20 VDC 必要
アンペア	3.5–4.5 A

認可機関の情報

電磁波障害 (EMI: Electromagnetic Interference) とは、自由空間に放射または電源コードや信号線に伝導する信号または放射電磁波のことで、無線航海やその他の安全サービスを危険にさらしたり、認可された無線通信サービスの著しい質の低下、妨害、あるいは度重なる中断を発生させます。無線通信サービスとは、AM/FM の商業放送、テレビ、および携帯電話の各種サービス、レーダー、航空交通管制、ポケットベル、PCS (Personal Communication Services) などがありますが、これらに限定されません。これらの認可サービスは、コンピュータを含むデジタル装置などの電波放射を目的としない装置とともに、電磁環境に影響を与えます。

電磁整合性 (EMC: Electromagnetic Compatibility) とは、多数の電子機器が同一の環境で共に正常に動作する能力のことです。本コンピュータは、認可機関の EMI に関する制限に準拠する設計がなされており、適合していますが、特定の設置条件で干渉が発生しないという保証はありません。この装置が無線通信サービスに対して干渉するかどうかは、その装置の電源をオン / オフすることによって判定できますので、以下の方法を 1 つ以上実施してみてください。

- 受信アンテナの方向を変えてください。
- 受信機に対してコンピュータを再配置してください。
- 受信機からコンピュータを遠ざけてください。
- コンピュータを別の電源コンセントにつないで、コンピュータと受信機を別々の分岐回路上に置いてください。

必要があれば、Dell テクニカルサポートまたはラジオ/テレビ専門技術者に相談してください。

Dell のコンピュータは、下記の使用環境に合わせた設計、試験、分類がなされています。これらの電磁環境の分類は、一般に次の統一定義を表しています。

- クラス A は、主として商工業環境用です。
- クラス B は、主として住宅環境用です。

情報技術機器 (ITE: Information Technology Equipment) は、デバイス、拡張カード、プリンタ、入出力 (I/O) 装置、モニタなどを含み、システムに統合または接続されるもので、コンピュータの電磁環境の分類に適合しなければなりません。

シールド付き信号コードに関する告知：デバイスの Dell 製装置への接続にはシールド付きコードのみを使用して、無線通信サービスとの干渉の可能性を減らしてください。シールドケーブルの使用により、目的とする環境に適した EMC 分類基準を満たします。

大半の Dell 製コンピュータは、クラス B 環境装置として分類されています。しかし、特定のオプションを付加することにより、一部の構成はクラス A 情報装置に分類されることもあります。コンピュータまたはデバイスの電磁波的分類を確認するには、次項を参照してください。次項には、EMC/EMI または製品の安全に関する情報が記載されています。

VCCI 規定（情報処理装置等電波障害自主規制協議会規定 日本のみ）

Dell のコンピュータの大部分は、VCCI でクラス B 情報装置（住宅またはその隣接した地域にて使用されるべき情報装置）として類別されています。しかし、特定のオプションを付加することにより、一部の構成はクラス A 情報装置に分類されることもあります。システムに統合または接続されるデバイス、拡張カード、プリンタ、入出力 (I/O) 装置、モニタなどの ITE は、コンピュータの電磁波環境分類（クラス A またはクラス B）と一致していなければなりません。

コンピュータに適用された分類を判断するには、コンピュータの底部または背面パネルの認可ラベル / マーク（「VCCI クラス A ITE 認定マーク」および「VCCI クラス B ITE 認定マーク」）を調べてください。コンピュータの VCCI 種別を確認したら、該当する基準をお読みください。

クラス A ITE

この装置は、情報処理装置等電波障害自主規制協議会(VCCI)の基準に基づくクラス A 情報技術装置です。この装置を家庭環境で使用すると電波妨害を引き起こすことがあります。この場合には使用者が適切な対策を講ずるよう要求されることがあります。

VCCI クラス A ITE 認定マーク

認定ラベルに次のマークが記載される場合は、ご利用のコンピュータはクラス A 製品に分類されます。

VCCI

クラス B ITE

この装置は、情報処理装置等電波障害自主規制協議会(VCCI)の基準に基づくクラス B 情報技術装置です。この装置は家庭環境で使用することを目的としていますが、ラジオやテレビジョン受信機に近接して使用されると、受信障害を引き起こすことがあります。取扱説明書に従って正しい取り扱いをしてください。

VCCI クラス B ITE 認定マーク

認定ラベルに次のマークが記載される場合は、ご利用のコンピュータはクラス B 製品に分類されます。



保証期間中の修理もしくは返品について

製品の修理のための返送（引き取り修理対応機種）

Dell のテクニカルサポートの担当者は、ご使用のコンピュータに関する問題の解決にあたりますが、修理が必要と判断された場合は修理のためにシステムや備品を返送していただくことがあります。

- 1 テクニカルサポートにお電話ください。システムを引き取りに何う日程、システム梱包用の箱の有無、引き取る場所、連絡先を確認させていただきます。システムに同梱するべきものがある場合は、その際にご案内いたします。
- 2 指定の日、指定の場所に提携宅配業者がシステムを引き取りにお伺いします。梱包用の箱をお持ちの場合は、それまでにシステムの梱包を終えておいてください。また、サービスタグナンバー（Service Tag #・5桁の英数字で通常、バーコードの記載された細長いシール上に記載されています。このシールは、ノートパソコンの場合はシステムの底面、デスクトップパソコンの場合は本体の背面あるいは側面に貼られています。）をお手元に控えておかれるようお願いいたします。このサービスタグナンバーはシステムに関するお問い合わせの際に必要です。

修理以外の理由で製品を返品する場合

- 1 はじめに弊社の営業担当者にご連絡ください。弊社から製品返送用の RMA ナンバー（返却番号）をお知らせいたしますので梱包する箱の外側にはっきりとよくわかるように書き込んでください。
- 2 製品返却手続きのご案内用紙をファックス（郵送）でお送りします。返却する製品を、購入時に入っていた箱に梱包し、上記のご案内用紙から返却シートを切り離して箱に貼付します。マシン本体の返品の場合は、返却手続きのご案内に記載されているサービスタグナンバーと、製品に貼付されているサービスタグナンバーが一致しているか、必ずご確認ください。（サービスタグナンバーに関しては「修理のための返送」の2を参照してください。）電源コード、ソフトウェアディスク、マニュアルなどの付属品も全て製品と同梱してください。
- 3 集荷依頼窓口で電話し、集荷希望の日時・場所を伝えます。

運送中に、盗難などに遭った場合、弊社では一切責任を負いかねますので、予めご了承ください。

以上の条件が満たされていない場合は、そのまま返送させていただくことがあります。

